



# CABLE SUPPORT Systems

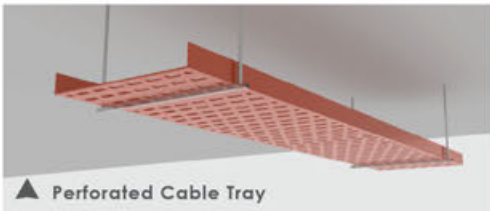


# Company Intro

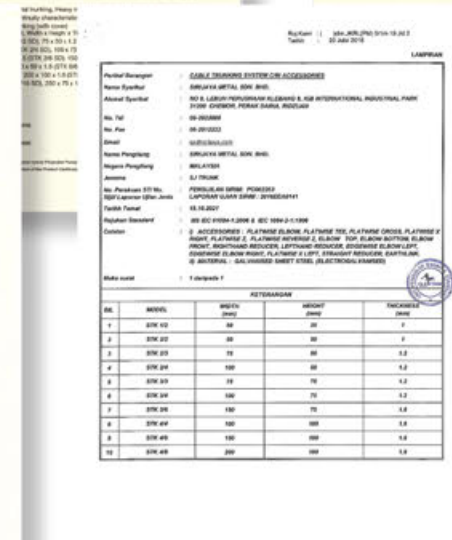
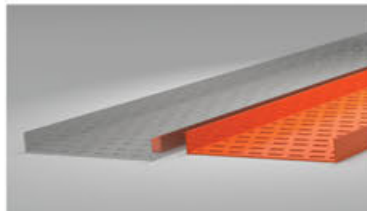
Sirijaya Metal Sdn Bhd started producing cable support systems since 2009. Our mother company, Sirijaya Industries Sdn Bhd, is a well-established light fittings manufacturer for more than 35 years.

Cable management is essential to create a visually pleasing and clean work environment. Managing cables or wires helps to maintain basic functionality and also protect the devices from the clogged airflow due to unorganised and disordered wires. Cable management both supports and contains cables during installation, and makes subsequent maintenance or changes to the cable system easier.

Proper cable management can increase safety measures in the work place. Fire is a cause for concern after cable installation and loose cable can become tangled with each other possibly creating a spark. This spark can then turn into a fire damaging your network, data center and building. There is also the chance of someone coming by where the cables are installed and tripping, resulting in an injury. Always striving to meet the growing demands of a sophisticated market, our SJ Trunk range has evolved to provide a genuine one stop shop with the ability to satisfy your cable support needs.

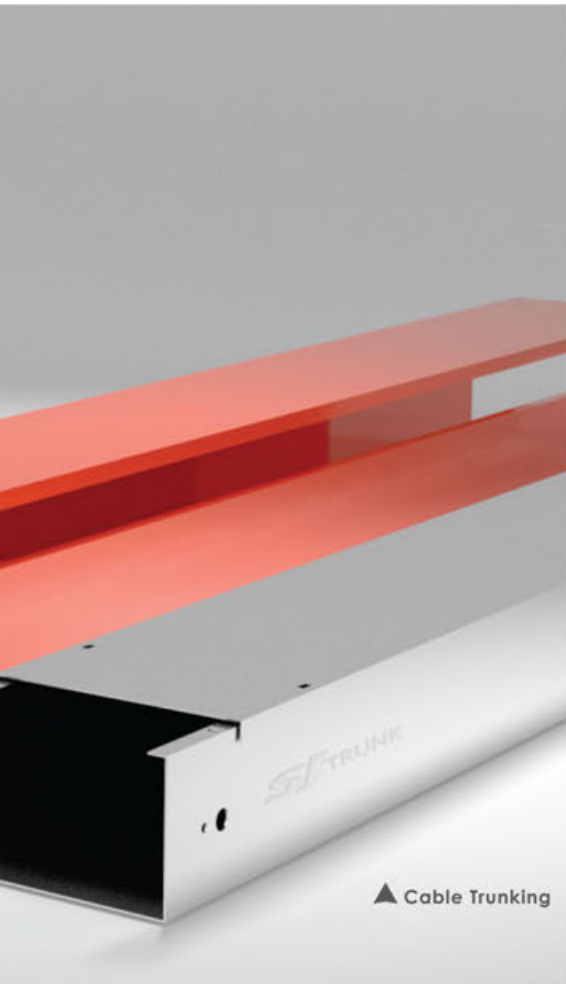


▲ Perforated Cable Tray



▲ Product Certificate





▲ Cable Trunking



Sirijaya Metal Sdn Bhd's Cable Trunk, Trays, Ladder, fittings and accessories are manufactured in compliance with international standards.

Our mission is to be your first choice for the supply of cable support systems, and having a dedicated team of professionals is an essential platform in achieving that goal.

You can be assured of Sirijaya Metal Sdn Bhd's commitment to continually improving our range, our product quality, our value for money and our delivery lead time.

We are introducing the Turnbuckle for cable trunking cover. Using the Turnbuckle cover can be a great way to reduce cost, labor, and time. Sirijaya Metal Sdn Bhd is an innovative company and always dedicated to ensuring high quality products are available when it's needed by customers.



▲ Cable Ladder



# SuperDyma<sup>®</sup> Super Anti-Corrosion Material

## The New Type of Technology Steel Sheet

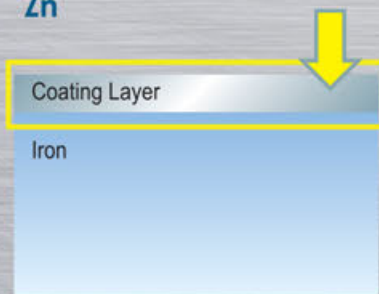
# SuperDyma<sup>®</sup>

New Generation of high corrosion-resistant coated steel sheet by:

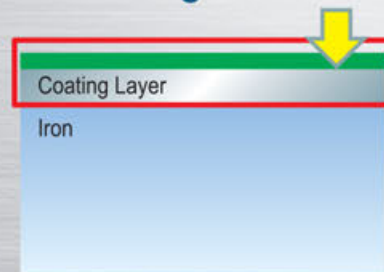


SuperDyma<sup>®</sup> is a new type of highly corrosion-resistance coated steel sheet with a coating composition consisting of zinc as the main substrate in combination with aluminum (about 11%), magnesium (about 3%) and a trace amount of silicon.

### ▼ Hot dip zinc-coated sheet Zn



### ▼ SuperDyma<sup>®</sup> Zn-Al-Mg-Si



## Mechanism of Corrosion Resistance

### Corrosion Protection Mechanism on Cut-end Surfaces and at welded Sections

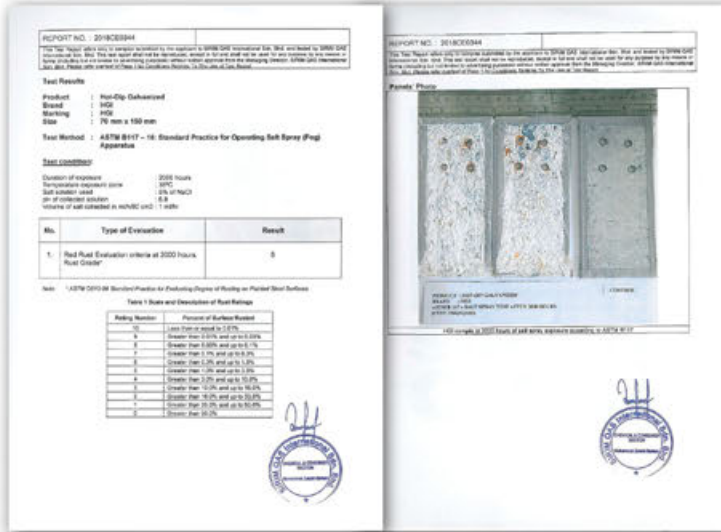
		Exposure period		
		Early state	Middle state	Later state (several year to until when the zinc on the periphery of the cut end face disappears)
Cut Surface conditions				
	Apperance of the end surface			



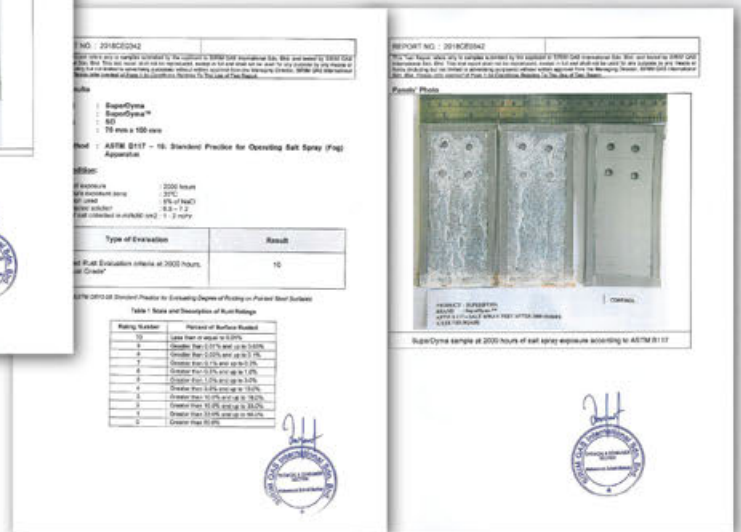
# Cable Support Systems

## Salt Spray Test

### ▼ Hot Dip Galvanized



### ▼ SuperDyma®



## Summary

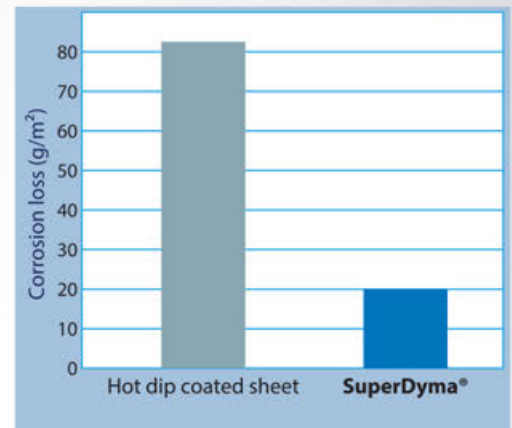
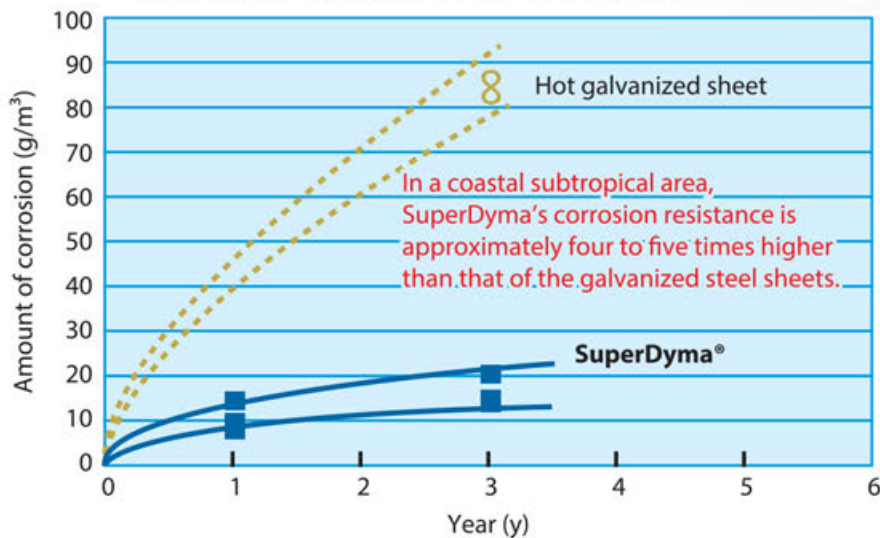
### Salt Spray Test Result

	Hot Dip Galvanized	SuperDyma®
	SIRIM Test Report No: 2018CE0344, 26th February 2018	SIRIM Test Report No: 2018CE0342, 26th February 2018
Reference Standard / Method of Test	ASTM B117-16: Standard Practice for Operating Salt Spray (Fog) Apparatus ASTM D610-08 Standard Practice for Evaluating Degree of Rusting on Painted Steel Surfaces	
Test Condition	Duration of Exposure: 2000 Hour Temperature of exposure zone: 35 Salt Solution used: 5% NaCl pH of collected solution : 6.8	
Test Result	Red Rust Evaluation criteria at 2000 hour : Result = <b>5</b> (Greater than 1.0% and up to 3.0%)	Red Rust Evaluation criteria at 2000 hour : Result = <b>10</b> (Less than or equal to 0.01%)

## Mechanism of Corrosion Resistance

### Coating Layer composition and Corrosion Resistance (Exposure Test)

Outdoor exposure (coastal and subtropical area) :  
amount of corrosion after three years



The result have shown that SuperDyma<sup>®</sup> has 3-4 times stronger resistance than that of a normal hot-dip galvanized steel sheet with same coating weight.

## Environmental Friendly Production Process

Same product quality as current chromate SuperDyma<sup>®</sup>

- Chromate-free SuperDyma<sup>®</sup> has the same quality as Chromate treatment in terms of Corrosion resistance, appearance, and other quality aspects.  
In short, Chromate-free SuperDyma<sup>®</sup> can achieve both eco-friendliness and high quality.
- Chromate-free SuperDyma<sup>®</sup> is definitely environmental friendly compared to Chromate treatment simply because we don't need to use chromate.  
If you change into chromate-free SuperDyma<sup>®</sup>, we can issue the document called ICP data which can prove that our products comply with RoHS directive.





## Why SuperDyma® ?

### Key Benefits of SuperDyma® Product

- **QUALITY** : Better corrosion resistance compared to HDG zinc coated
- **PROCESS LEAD TIME** : Faster and predictable lead time, strong supply chain
- **USER'S ADDITIONAL PROFIT** : Less maintenance and less downtime
- **ENVIRONMENTAL** : RoHS Compliance
- **SAFETY** : Unlike HDG finishing, SuperDyma® surface is smooth and hard, less accident
- **AREA of APPLICATIONS** : Suitable for indoor and outdoor, above ground and underground



## “Why you need to get SuperDyma® product from Sirijaya Metal”

- 1) Raw material produced by Nippon Steel Corporation, genuine quality with SIRIM approval licence PC003247.
- 2) Complied to MS2657:2016 (HOT-DIP ZINC ALLOYED WITH ALUMINIUM AND MAGNESIUM STEEL SHEET AND STRIP) spec code: NSDCC-K18-QN/NSDHC-K18-QN.
- 3) With our group of product development engineers and quality controllers, we supply high quality cable support products which suit client’s application environment.







**Commercial Building**

**Residential**



**Solar Plant**



**Hypermarket**







**Manufacturing  
Industrial**



**Air Traffic Control Centre**



**Hospital**

## **Project References**



# Contents

## Cable Trunking System pg09- pg18

---

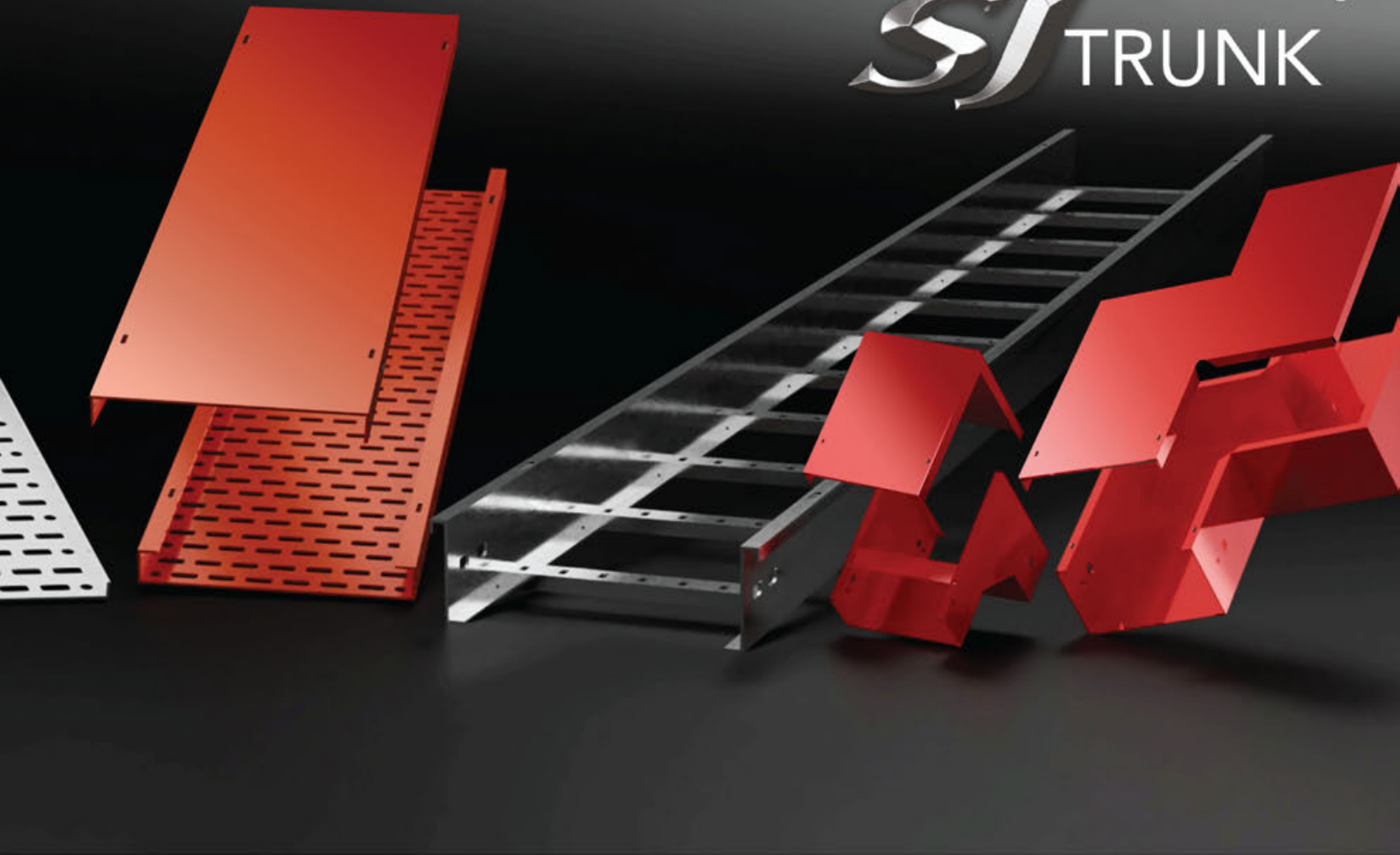
Cable Trunking Product Intro	09
Trunking Body Straight Trunking Cover	11
Cable Trunking Straight	13
Cable Trunking Accessories	15

## Perforated Cable Tray System pg19- pg36

---

Perforated Cable Tray Product Intro	19
Cable Tray "Type U" Straight	21
Cable Tray Accessories "Type U"	23
Cable Tray "Type C - 90D" Straight	25
Cable Tray "Type C - 45D" Straight	27
Cable Tray Accessories "Type C - 90D"	29
Cable Tray Accessories "Type C - 45D"	31
Cable Tray "Type T" Straight	33
Cable Tray Accessories "Type T"	35





**Cable Ladder System**  
pg37 - pg58

---

Cable Ladder Product Intro	37
Cable Ladder "Type Z" Straight	39
Cable Ladder Accessories "Type Z"	41
Cable Ladder "Type G - Inner" Straight	43
Cable Ladder Accessories "Type G - Inner"	45
Cable Ladder "Type G - Outer" Straight	47
Cable Ladder Accessories "Type G - Outer"	49
Cable Ladder "Type C - Inner" Straight	51
Cable Ladder Accessories "Type C - Inner"	53
Cable Ladder "Type C - Outer" Straight	55
Cable Ladder Accessories "Type C - Outer"	57

**Ordering References**

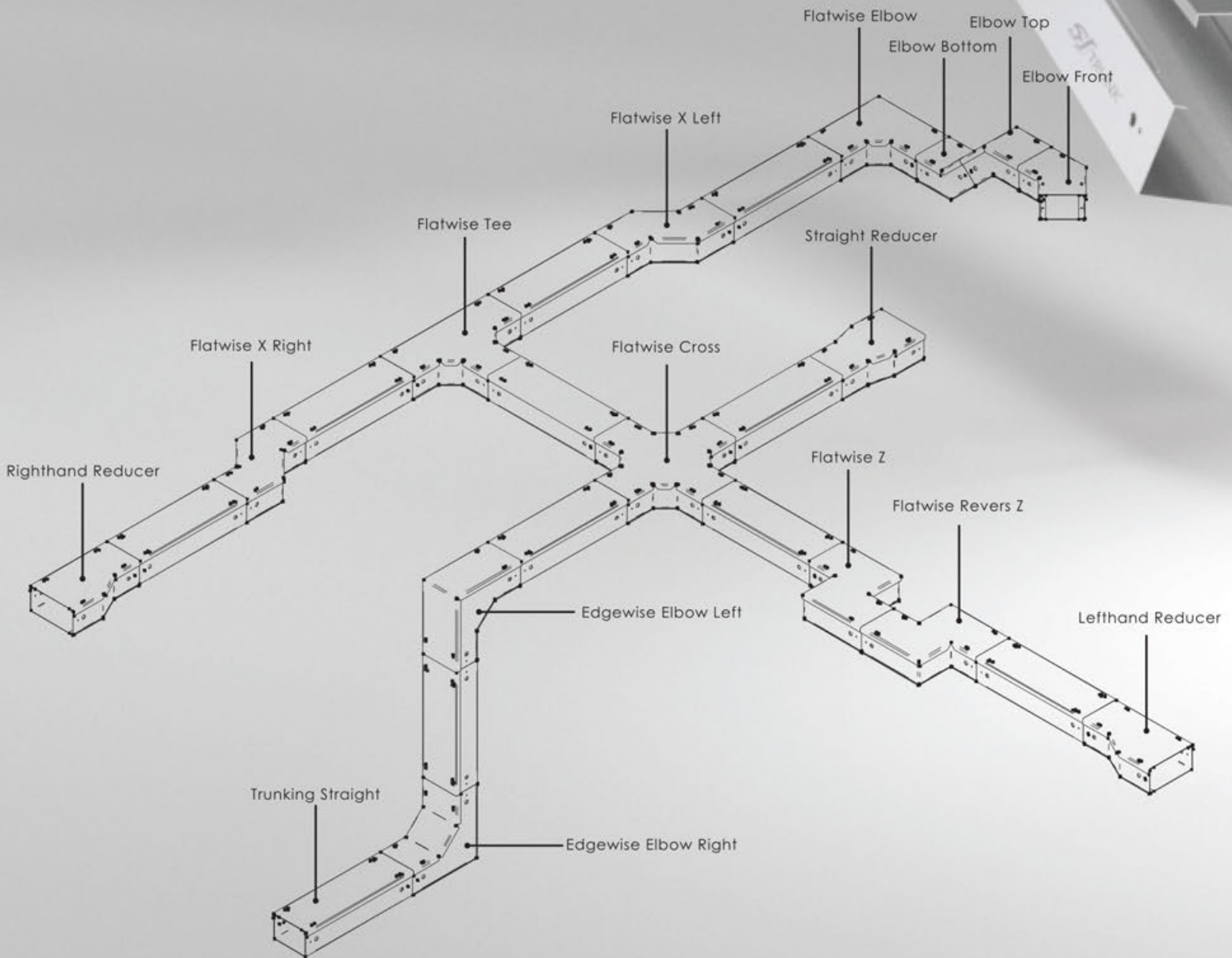
---

pg59

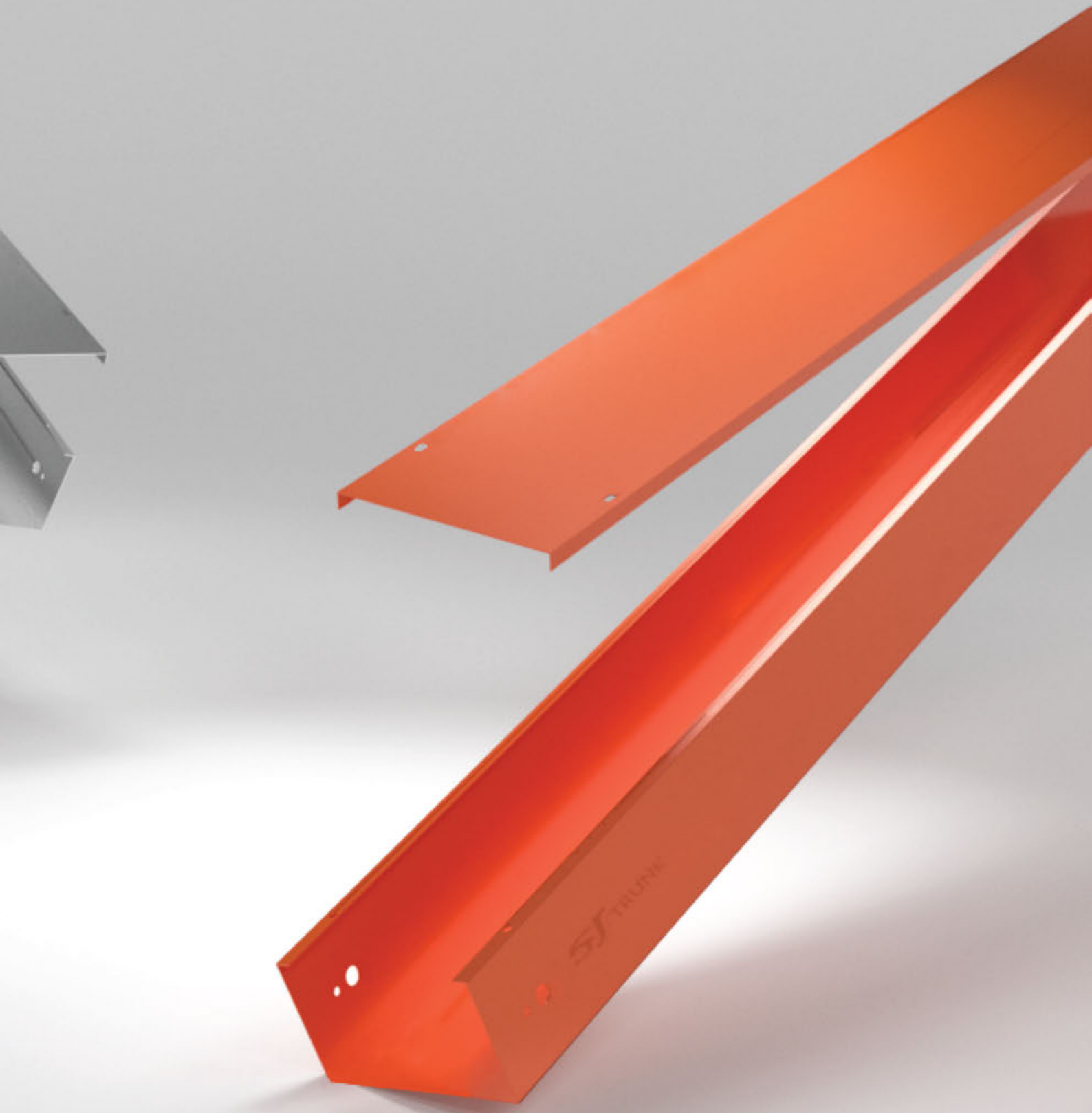
Ordering References	59
---------------------	----

# Cable Trunking System

Cable trunking is an enclosure usually with a rectangular cross section, and with one removable or hinged side, that is used to protect cables and provide space for other electrical equipment. They make electrical ducting and cable trunking for concealing and securing cabling.

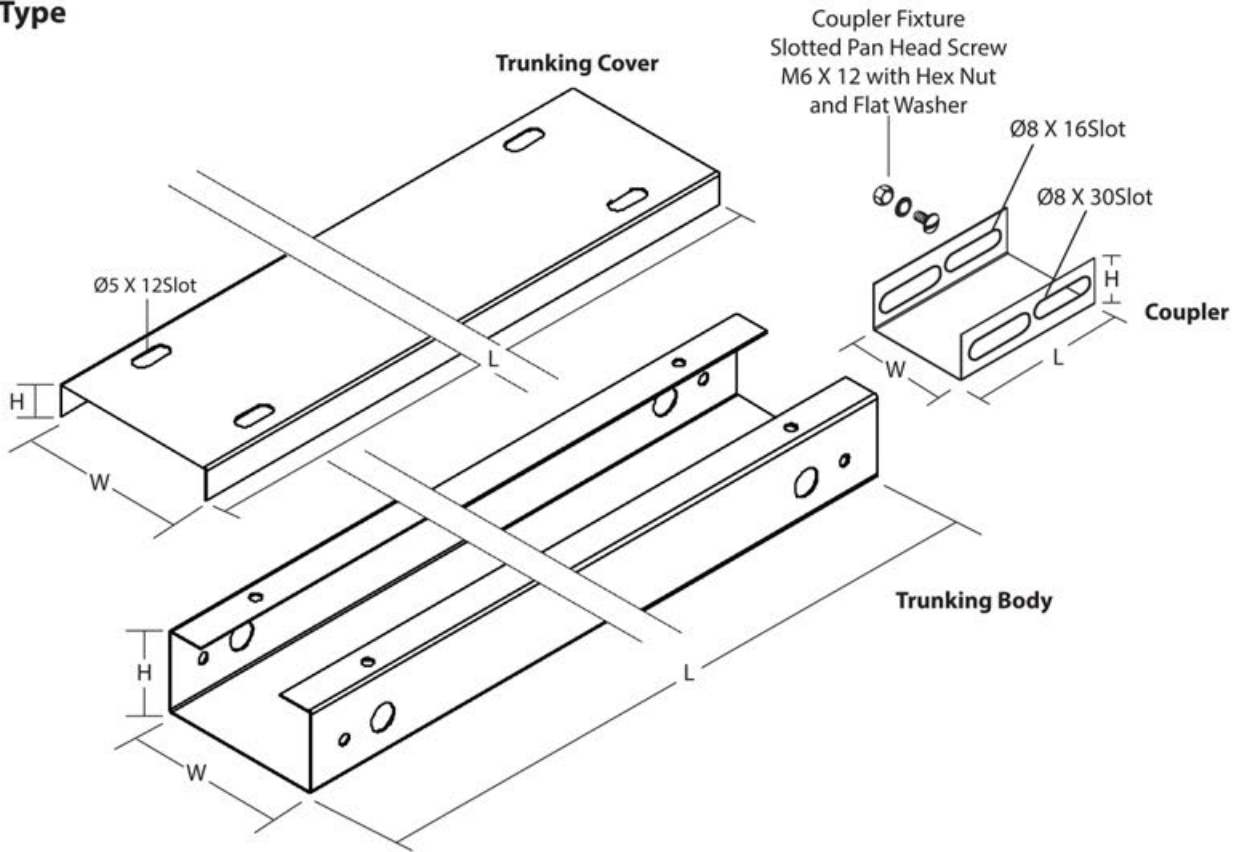




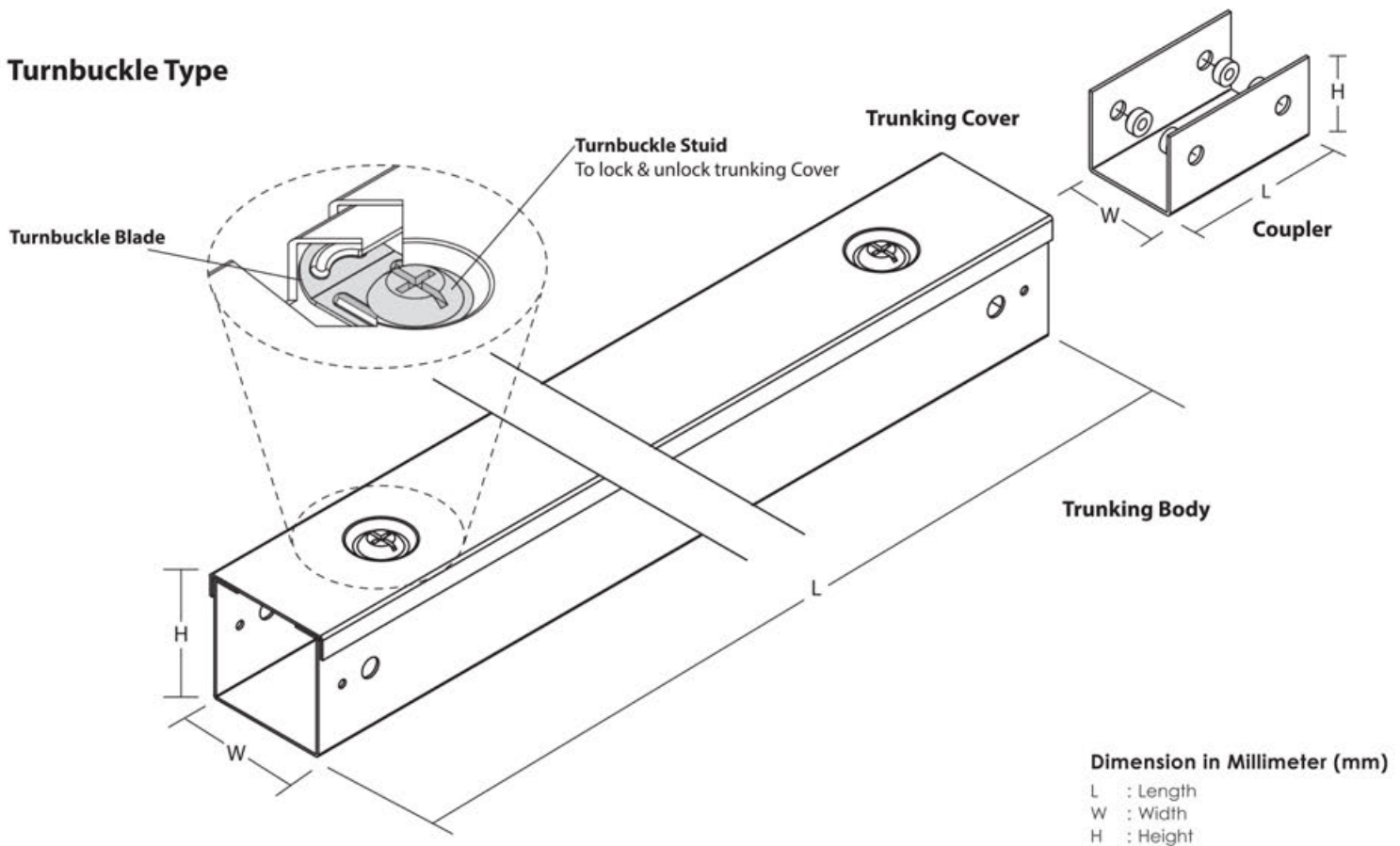


# Cable Trunking System | Cable Trunking Straight

## Screw Fix Type



## Turnbuckle Type



**Dimension in Millimeter (mm)**

L : Length

W : Width

H : Height



### Screw Fix Type

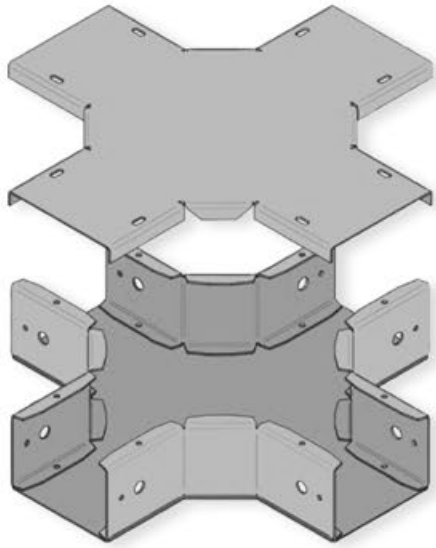
Model	Size (mm)						Thickness (mm)		Size (mm)			
	Cover (LxWxH)			Body (LxWxH)			Cover	Body	Coupler (LxWxH)		Thickness	
STK 1/2	2438 / 3000	54	10	2438 / 3000	50	25	1.0	1.0	80	46	21	1.0
STK 2/2		54	10		50	50	1.0	1.0		46	44	1.0
STK 2/3		79	10		75	50	1.2	1.2		72	44	1.2
STK 2/4		104	10		100	50	1.2	1.2		96	44	1.2
STK 2/6		155	10		150	50	1.4	1.6		144	40	1.6
STK 2/8		205	10		200	50	1.4	1.6		194	40	1.6
STK 2/10		255	10		250	50	1.4	1.6		244	40	1.6
STK 2/12		305	10		300	50	1.4	1.6		294	40	1.6
STK 2/14		355	10		350	50	1.4	1.6		344	40	1.6
STK 3/3		79	10		75	75	1.2	1.2		72	69	1.2
STK 3/4		104	10		100	75	1.2	1.2		96	69	1.2
STK 3/6		155	10		150	75	1.4	1.6		144	65	1.6
STK 3/8		205	10		200	75	1.4	1.6		194	65	1.6
STK 3/10		255	10		250	75	1.4	1.6		244	65	1.6
STK 3/12		305	10		300	75	1.4	1.6		294	65	1.6
STK 4/4		104	10		100	100	1.2	1.2		96	90	1.2
STK 4/6		155	10		150	100	1.4	1.6		144	90	1.6
STK 4/8		205	10		200	100	1.4	1.6		194	90	1.6
STK 4/10		255	10		250	100	1.4	1.6		244	90	1.6
STK 4/12		305	10		300	100	1.4	1.6		294	90	1.6
STK 6/6	155	10	150	150	1.4	1.6	144	120	1.6			
STK 6/8	205	10	200	150	1.4	1.6	194	120	1.6			

\*\*Specification subject to change without prior notice.

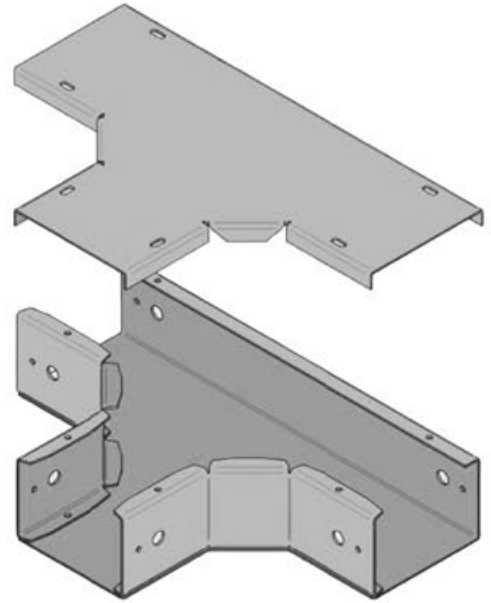
### Turnbuckle Type

Model	Size (mm)						Thickness (mm)		Size (mm)			
	Cover (LxWxH)			Body (LxWxH)			Cover	Body	Coupler (LxWxH)		Thickness	
STK 1/2-TB	2438 / 3000	54	10	2438 / 3000	50	25	1.0	1.0	80	46	21	1.0
STK 2/2-TB		54	10		50	50	1.0	1.0		46	44	1.0
STK 2/3-TB		79	10		75	50	1.2	1.2		72	44	1.2
STK 2/4-TB		104	10		100	50	1.2	1.2		96	44	1.2
STK 2/6-TB		155	10		150	50	1.4	1.6		144	40	1.6
STK 2/8-TB		205	10		200	50	1.4	1.6		194	40	1.6
STK 2/10-TB		255	10		250	50	1.4	1.6		244	40	1.6
STK 2/12-TB		305	10		300	50	1.4	1.6		294	40	1.6
STK 2/14-TB		355	10		350	50	1.4	1.6		344	40	1.6
STK 3/3-TB		79	10		75	75	1.2	1.2		72	69	1.2
STK 3/4-TB		104	10		100	75	1.2	1.2		96	69	1.2
STK 3/6-TB		155	10		150	75	1.4	1.6		144	65	1.6
STK 3/8-TB		205	10		200	75	1.4	1.6		194	65	1.6
STK 3/10-TB		255	10		250	75	1.4	1.6		244	65	1.6
STK 3/12-TB		305	10		300	75	1.4	1.6		294	65	1.6
STK 4/4-TB		104	10		100	100	1.2	1.2		96	90	1.2
STK 4/6-TB		155	10		150	100	1.4	1.6		144	90	1.6
STK 4/8-TB		205	10		200	100	1.4	1.6		194	90	1.6
STK 4/10-TB		255	10		250	100	1.4	1.6		244	90	1.6
STK 4/12-TB		305	10		300	100	1.4	1.6		294	90	1.6
STK 6/6-TB	155	10	150	150	1.4	1.6	144	120	1.6			
STK 6/8-TB	205	10	200	150	1.4	1.6	194	120	1.6			

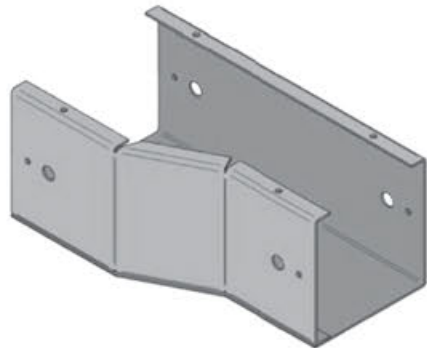
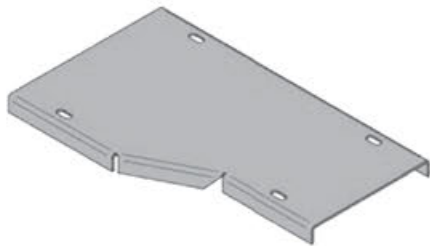
\*\*Specification subject to change without prior notice.



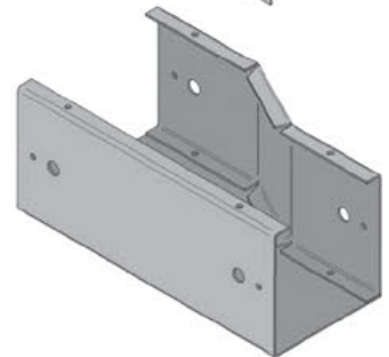
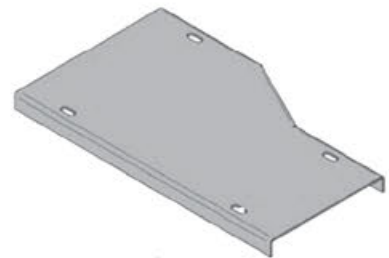
**Flatwise Cross**  
STK AC-1



**Flatwise Tee**  
STK AC-2



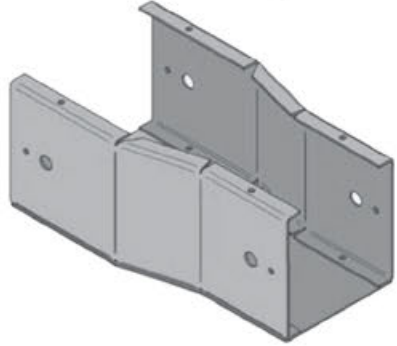
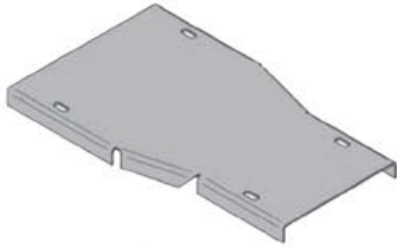
**Righthand Reducer**  
STK AC-3



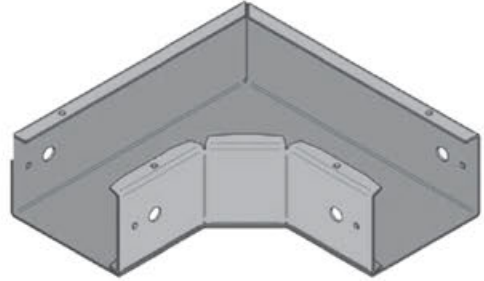
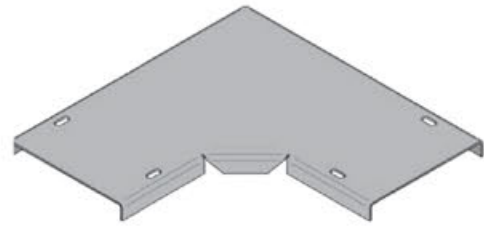
**Lefthand Reducer**  
STK AC-4

\*\*Other design and sizes are available upon request.

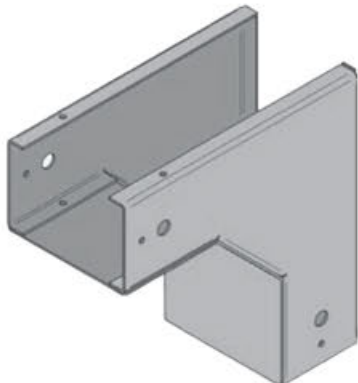
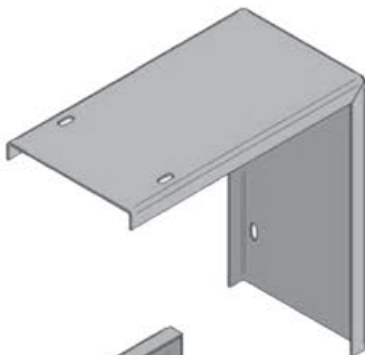




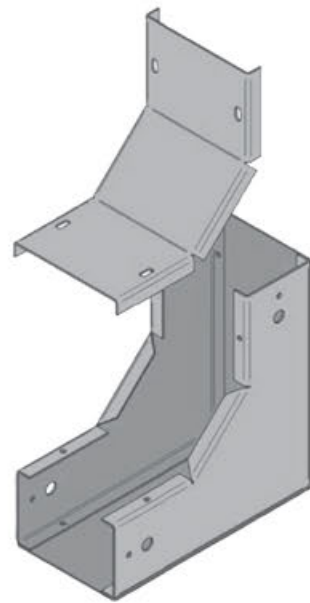
**Straight Reducer**  
STK AC-5



**Flatwise Elbow**  
STK AC-6

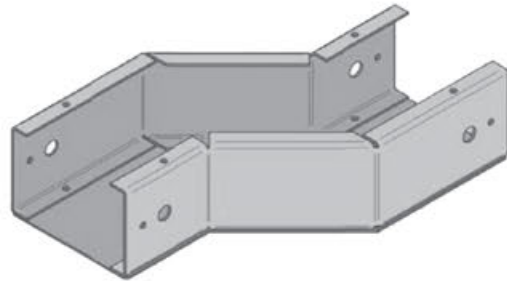
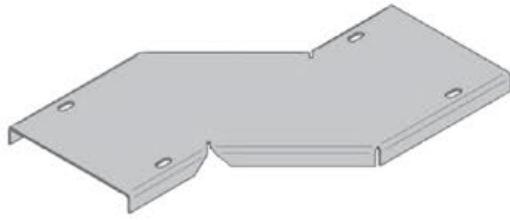


**Edgewise Elbow Left**  
STK AC-7

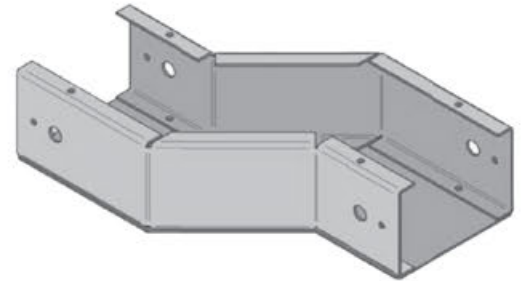
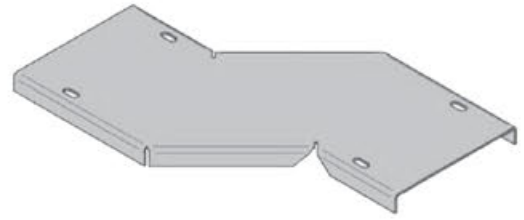


**Edgewise Elbow Right**  
STK AC-8

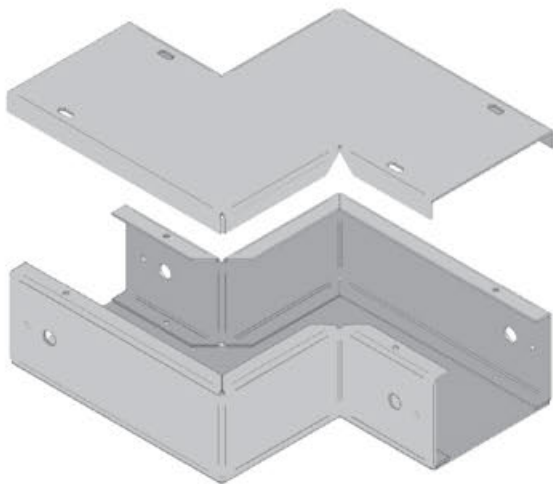
\*\*Other design and sizes are available upon request.



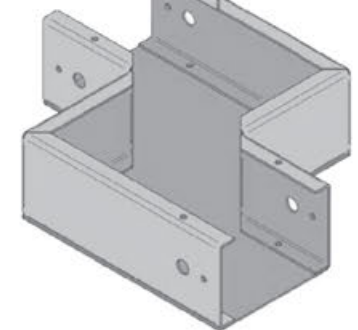
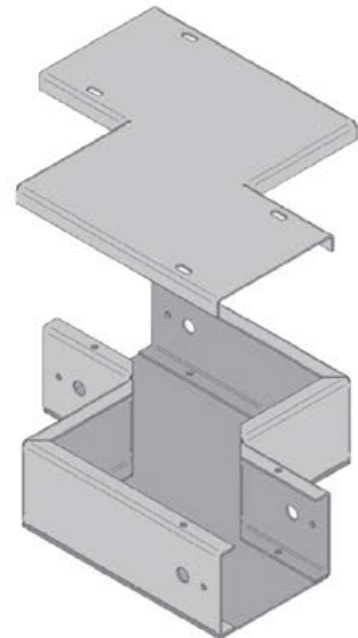
**Flatwise X Left**  
STK AC-9



**Flatwise X Right**  
STK AC-10



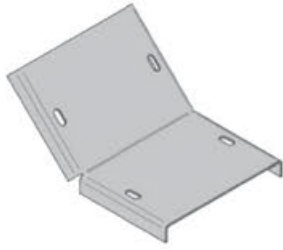
**Flatwise Reverse Z**  
STK AC-11



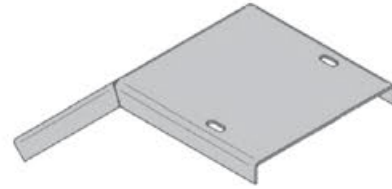
**Flatwise Z**  
STK AC-12

\*\*Other design and sizes are available upon request.

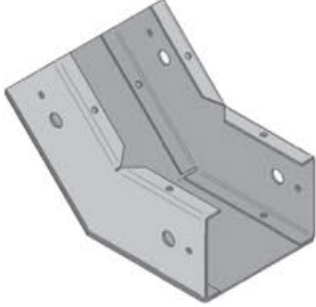




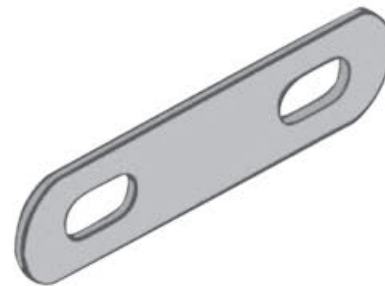
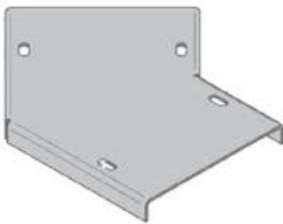
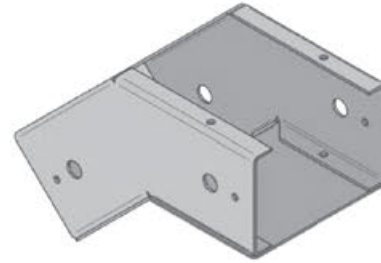
**Elbow Bottom**  
STK AC-13



**Elbow Top**  
STK AC-14



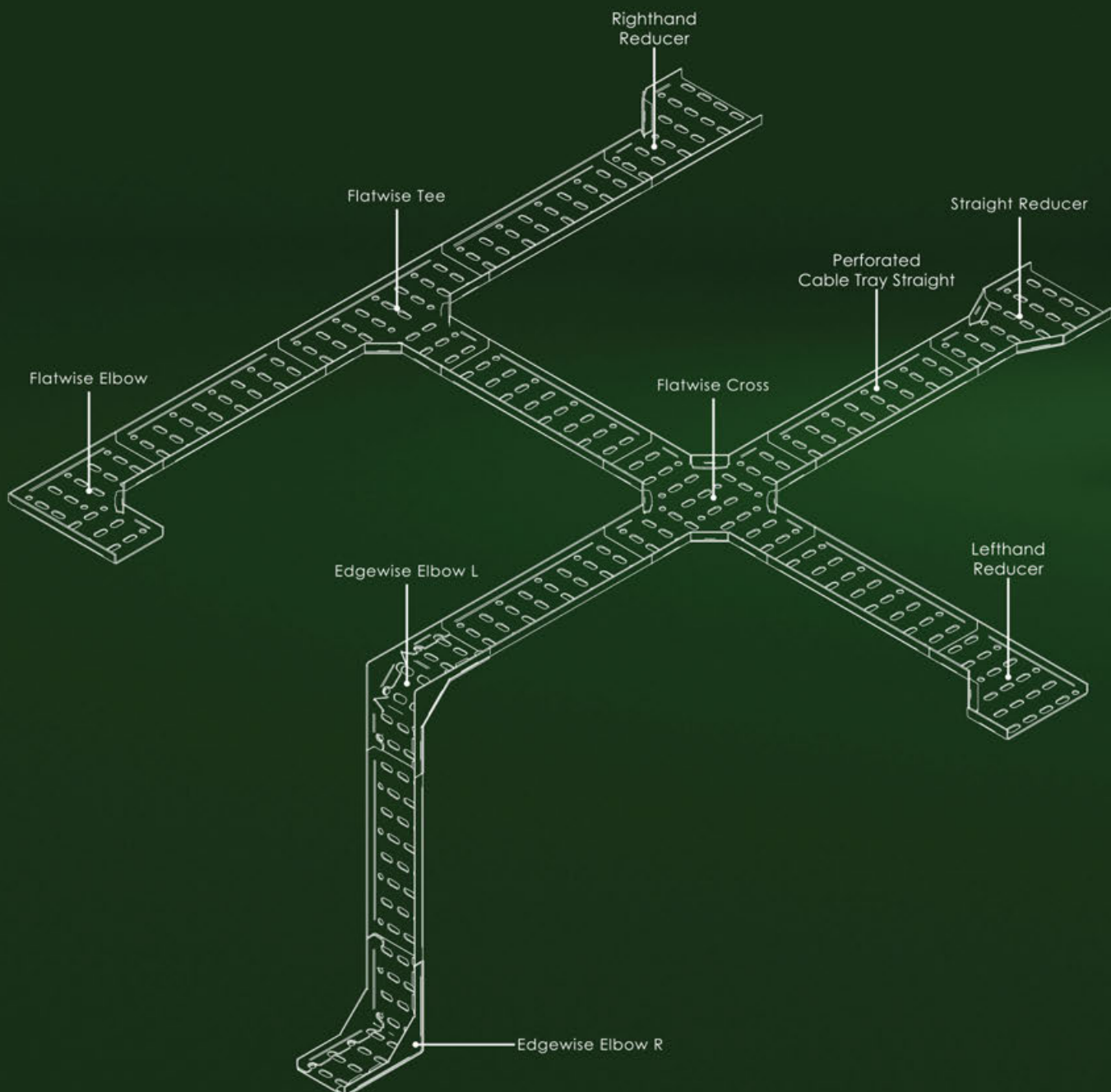
**Elbow Front**  
STK AC-15



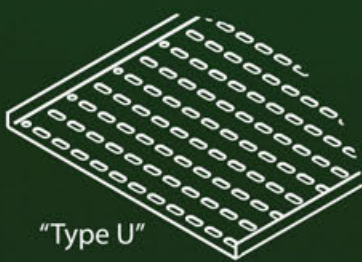
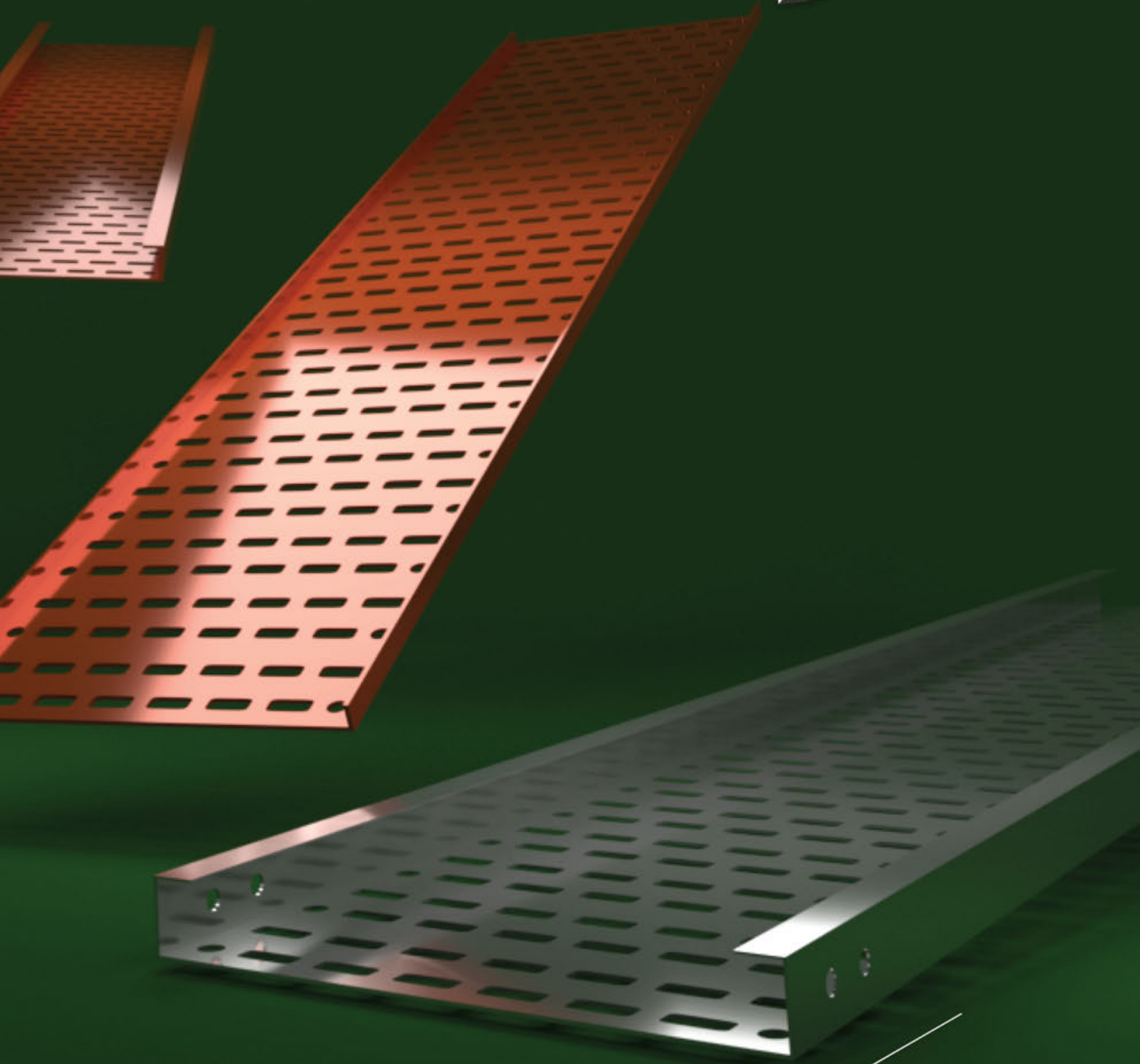
**Earth Link**  
STK AC-16

# Perforated Cable Tray System

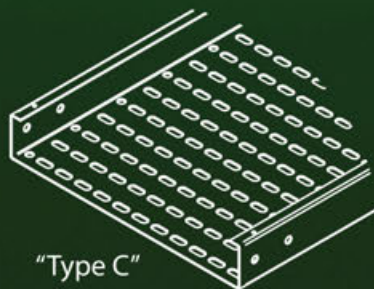
Cable tray is a unit or assembly of units or sections and associated fittings forming a rigid structural system used to securely fasten or support cables and raceways. Cable tray system is used to support insulated electrical cables used for power distribution, control, and communication. Cable trays are used as an alternative to open wiring or electrical conduit systems, and are commonly used for cable management in commercial and industrial construction. They are especially useful in situations where changes to a wiring system are anticipated, since new cables can be installed by laying them in the tray, instead of pulling them through a pipe.



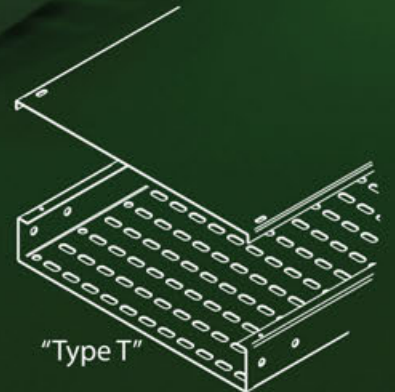




"Type U"

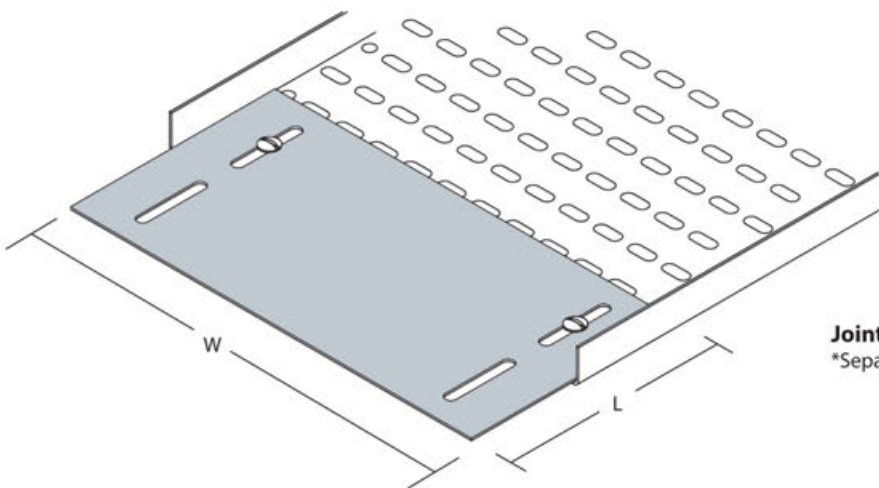
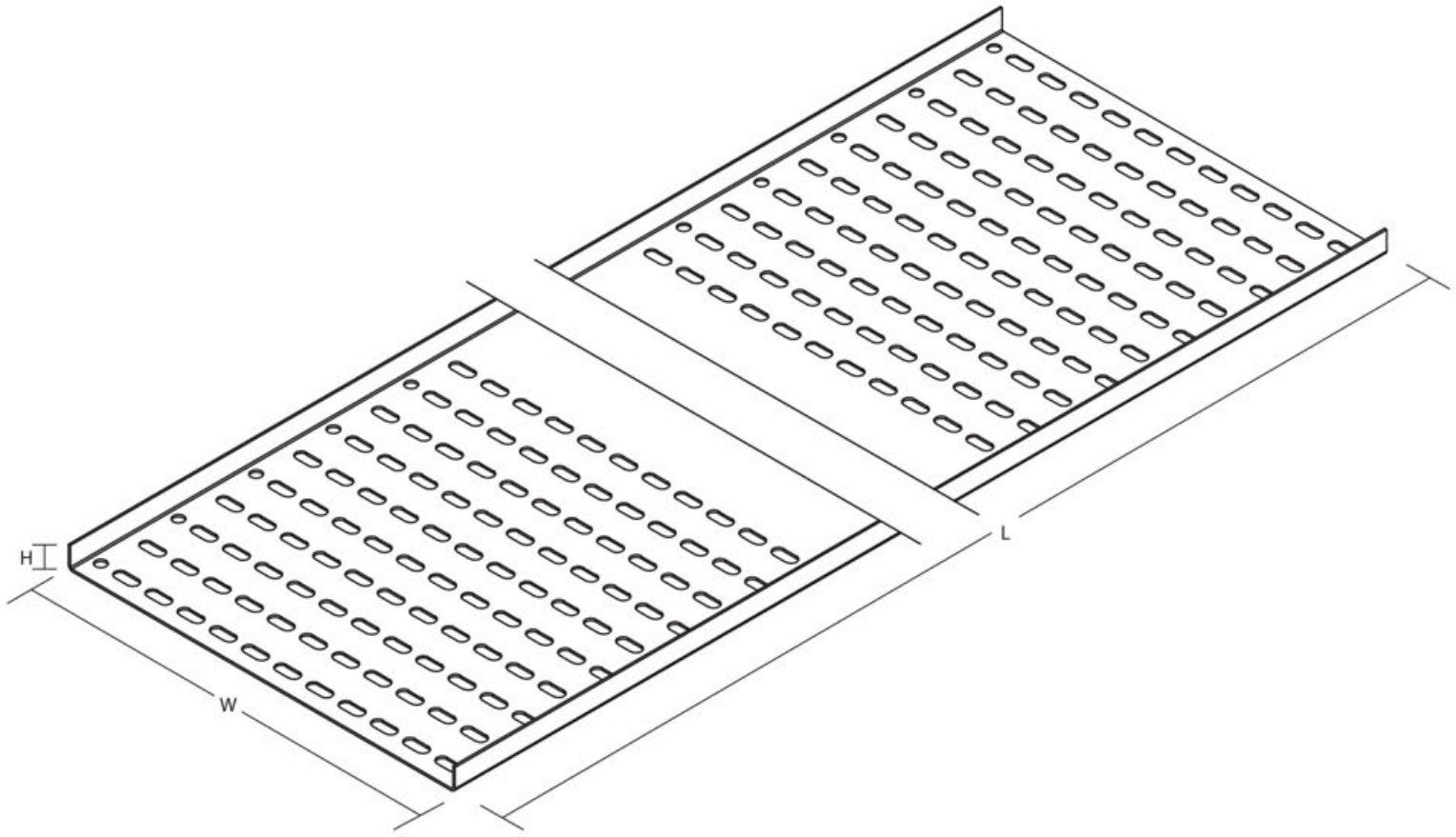


"Type C"  
90 Degree / 45 Degree



"Type T"

# Perforated Cable Tray System | Perforated Cable Tray Straight "Type U"



### Joint Plate

\*Separate purchase if need for tray joint plate



### Perforated Cable Tray Straight "Type U"

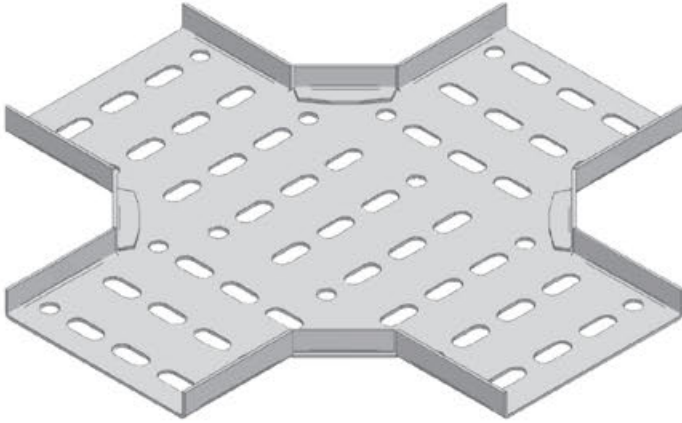
Model	Nominal Size (mm)							
	Body (LxWxH)			Joint Plate (WxL)		Thickness		
SCT/U-(50x13)	2438	50	13	43	150	1.5		
SCT/U-(75x13)		75	13	68				
SCT/U-(100x13)		100	13	93				
SCT/U-(150x13)		150	13	143				
SCT/U-(200x17)		200	17	193				
SCT/U-(250x17)		250	17	243				
SCT/U-(300x17)		300	17	293				
SCT/U-(350x20)		350	20	342			150	2.0
SCT/U-(400x20)		400	20	392				
SCT/U-(450x20)		450	20	442				
SCT/U-(500x25)		500	25	492				
SCT/U-(550x25)		550	25	542				
SCT/U-(600x25)		600	25	592				
SCT/U-(650x25)		650	25	642				
SCT/U-(700x25)		700	25	692				
SCT/U-(750x25)		750	25	742				
SCT/U-(800x25)		800	25	792				
SCT/U-(850x25)		850	25	842				
SCT/U-(900x25)		900	25	892				
SCT/U-(950x25)		950	25	942				
SCT/U-(1000x25)	1000	25	992					

\*\*Specification subject to change without prior notice.

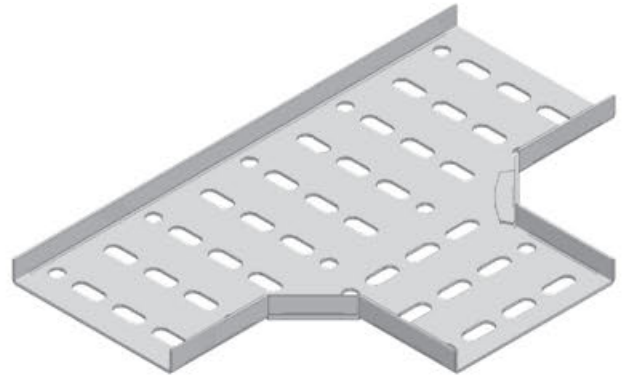
\*We also supply other size with the same Cable Tray profile.

#### Dimension in Millimeter (mm)

L : Length  
W : Width  
H : Height



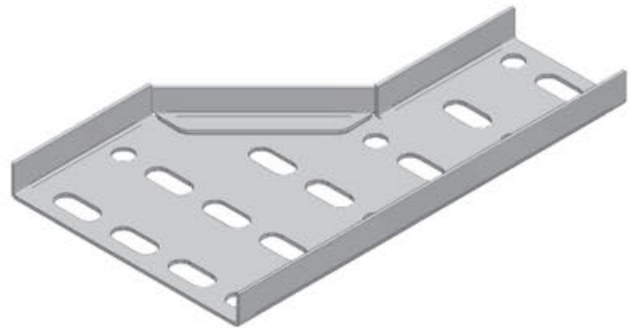
**Flatwise Equal/Unequal Cross**  
SCT/U AC-1



**Flatwise Equal/Unequal Tee**  
SCT/U AC-2



**Righthand Reducer**  
SCT/U AC-3

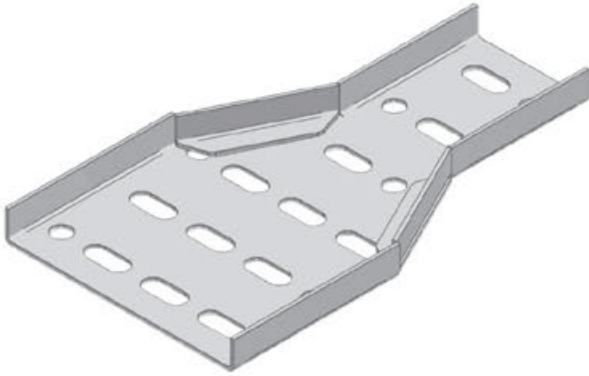


**Lefthand Reducer**  
SCT/U AC-4

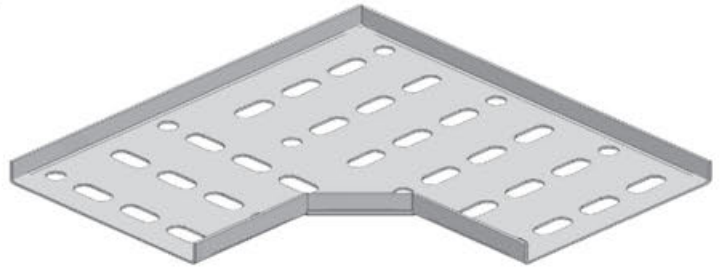
**Type U** 

\*\*Other design and sizes are available upon request.

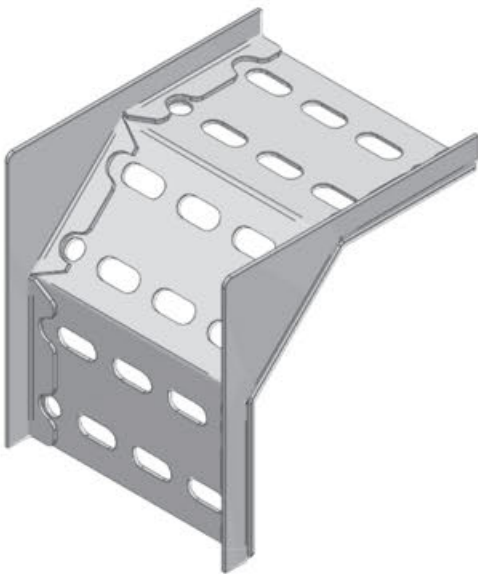




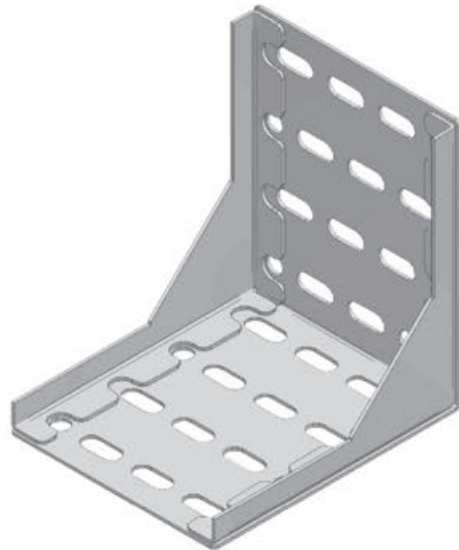
**Straight Reducer**  
SCT/U AC-5



**Flatwise Elbow**  
SCT/U AC-6



**Edgewise Elbow Left**  
SCT/U AC-7



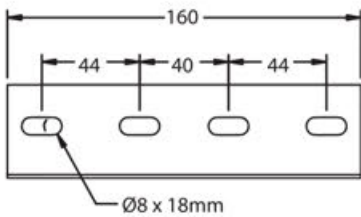
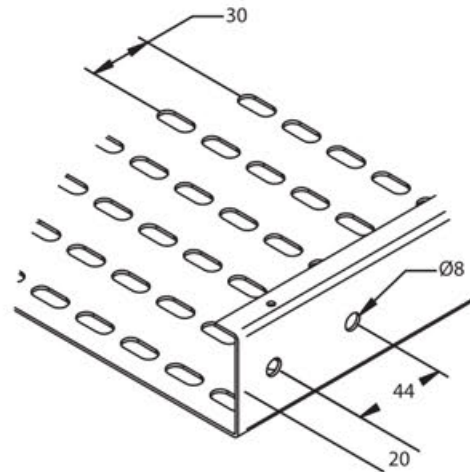
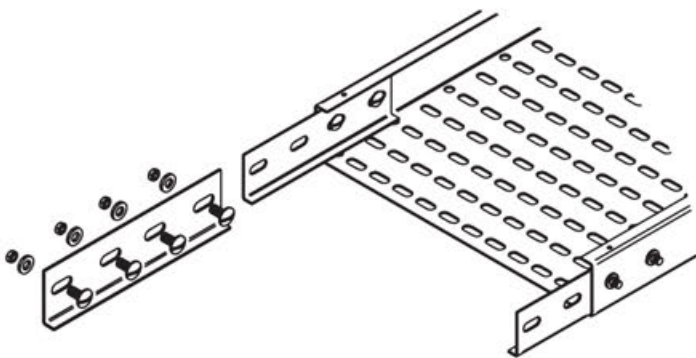
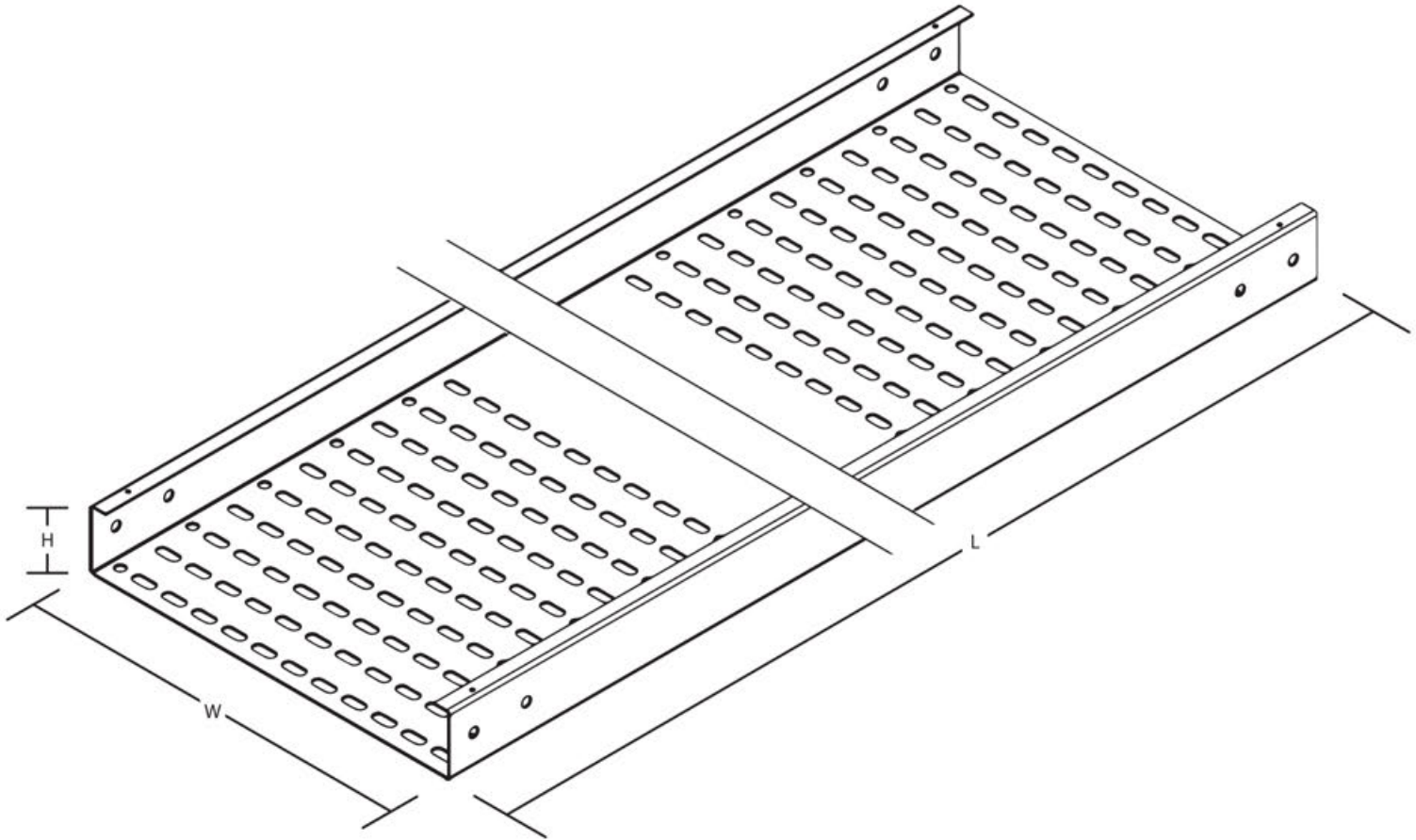
**Edgewise Elbow Right**  
SCT/U AC-8

**Type U** 

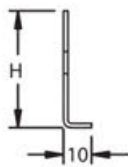
\*\*Other design and sizes are available upon request.

# Perforated Cable Tray System

## Perforated Cable Tray Straight "Type C" 90 Degree (90D)



**Splice Plate**



**Perforated Cable Tray "Type C" - 90 Degree (90D)**

**Dimension in Millimeter (mm)**

- L : Length
- W : Width
- H : Height



### Perforated Cable Tray Straight "Type C" - 90 Degree (90D)

Model	Nominal Size (mm)			Thickness
	Body (LxWxH)		Splice Plate (H)	
SCT/C-(50X50)(90D)	2438/3000	50	50	1.5
SCT/C-(75X50)(90D)		75	50	
SCT/C-(100X50)(90D)		100	50	
SCT/C-(150X50)(90D)		150	50	
SCT/C-(200X50)(90D)		200	50	
SCT/C-(250X50)(90D)		250	50	
SCT/C-(300X50)(90D)		300	50	
SCT/C-(350X50)(90D)		350	50	
SCT/C-(400X50)(90D)		400	50	
SCT/C-(450X50)(90D)		450	50	
SCT/C-(500X50)(90D)		500	50	2.0
SCT/C-(550X50)(90D)		550	50	
SCT/C-(600X50)(90D)		600	50	
SCT/C-(650X50)(90D)		650	50	
SCT/C-(700X50)(90D)		700	50	
SCT/C-(750X50)(90D)		750	50	
SCT/C-(800X50)(90D)		800	50	
SCT/C-(850X50)(90D)		850	50	
SCT/C-(900X50)(90D)		900	50	
SCT/C-(950X50)(90D)		950	50	
SCT/C-(1000X50)(90D)		1000	50	
SCT/C-(75X75)(90D)		75	75	1.5
SCT/C-(100X75)(90D)		100	75	
SCT/C-(150X75)(90D)		150	75	
SCT/C-(200X75)(90D)		200	75	
SCT/C-(250X75)(90D)		250	75	
SCT/C-(300X75)(90D)		300	75	
SCT/C-(350X75)(90D)		350	75	
SCT/C-(400X75)(90D)		400	75	
SCT/C-(450X75)(90D)		450	75	
SCT/C-(500X75)(90D)		500	75	
SCT/C-(550X75)(90D)		550	75	
SCT/C-(600X75)(90D)		600	75	
SCT/C-(650X75)(90D)		650	75	
SCT/C-(700X75)(90D)		700	75	
SCT/C-(750X75)(90D)	750	75		
SCT/C-(800X75)(90D)	800	75		
SCT/C-(850X75)(90D)	850	75		
SCT/C-(900X75)(90D)	900	75		
SCT/C-(950X75)(90D)	950	75		
SCT/C-(1000X75)(90D)	1000	75		

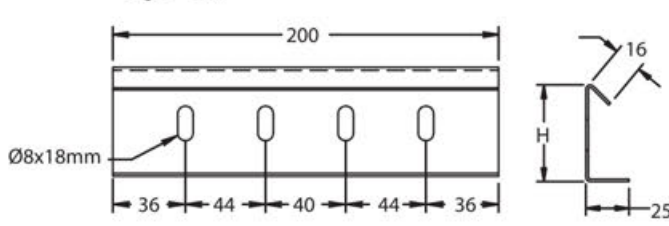
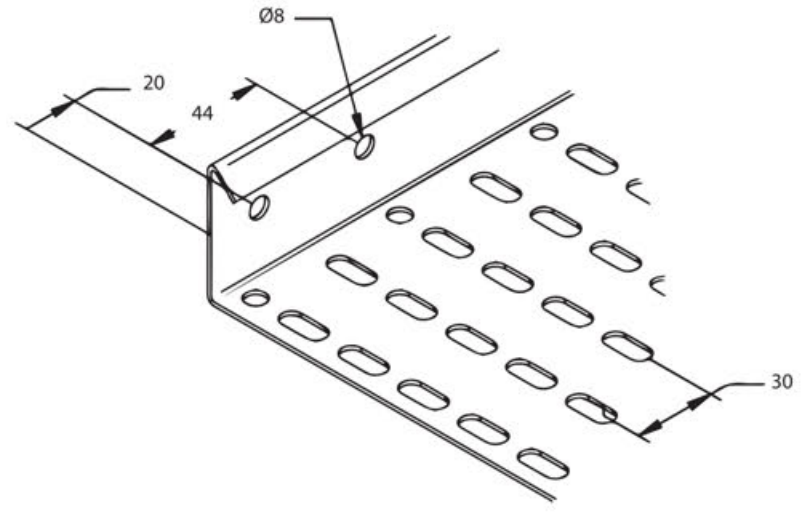
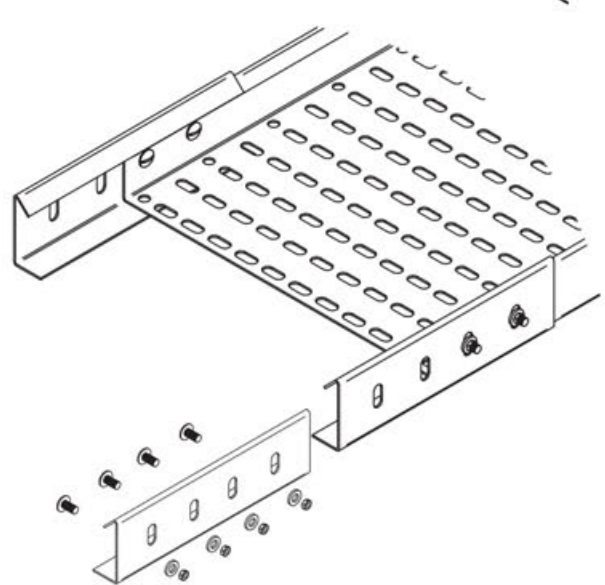
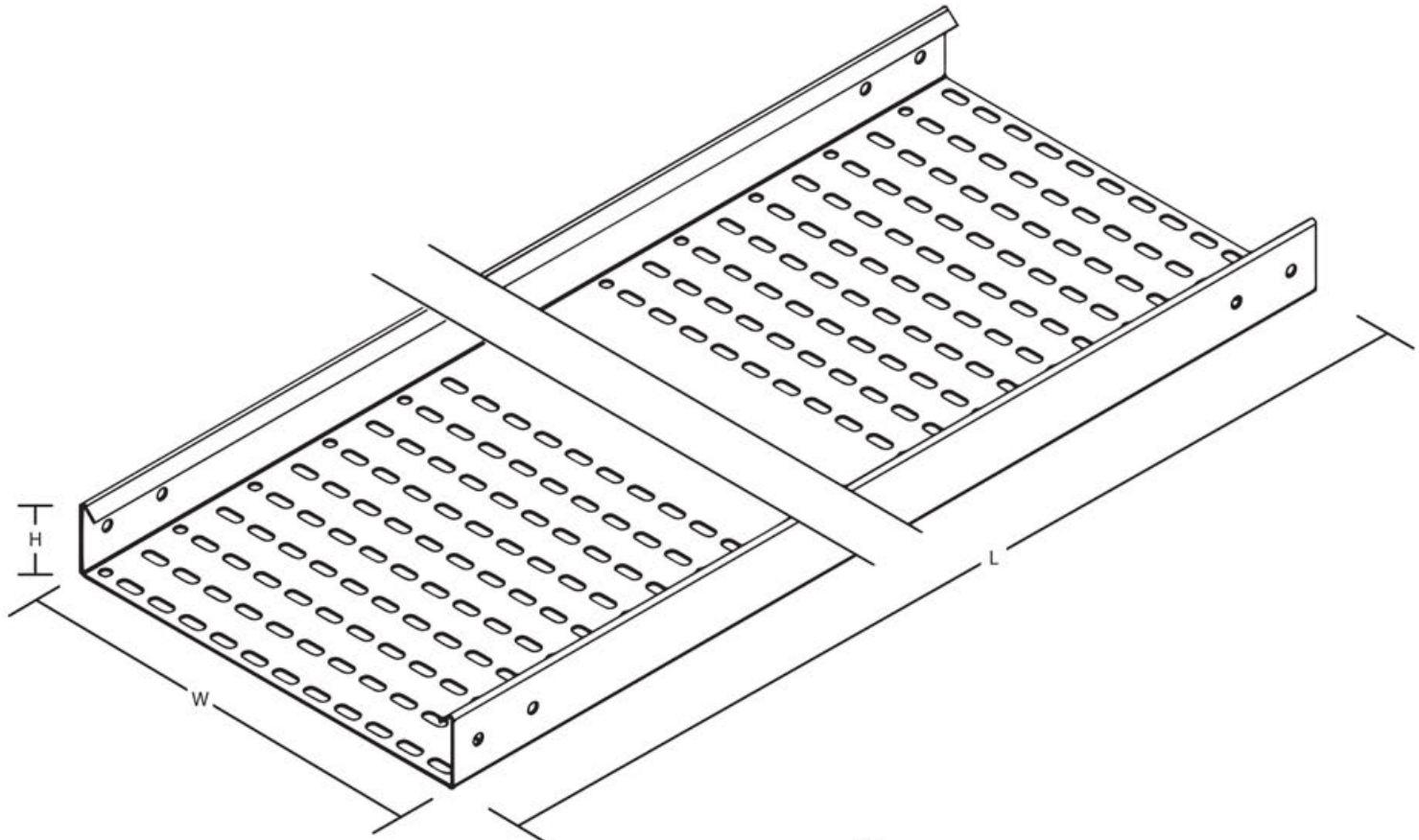
\*\*Specification subject to change without prior notice.

Model	Nominal Size (mm)			Thickness
	Body (LxWxH)		Splice Plate (H)	
SCT/C-(100X100)(90D)	2438/3000	100	100	1.5
SCT/C-(150X100)(90D)		150	100	
SCT/C-(200X100)(90D)		200	100	
SCT/C-(250X100)(90D)		250	100	
SCT/C-(300X100)(90D)		300	100	
SCT/C-(350X100)(90D)		350	100	
SCT/C-(400X100)(90D)		400	100	
SCT/C-(450X100)(90D)		450	100	
SCT/C-(500X100)(90D)		500	100	
SCT/C-(550X100)(90D)		550	100	
SCT/C-(600X100)(90D)		600	100	
SCT/C-(650X100)(90D)		650	100	
SCT/C-(700X100)(90D)		700	100	
SCT/C-(750X100)(90D)		750	100	
SCT/C-(800X100)(90D)		800	100	
SCT/C-(850X100)(90D)		850	100	
SCT/C-(900X100)(90D)		900	100	
SCT/C-(950X100)(90D)		950	100	
SCT/C-(1000X100)(90D)		1000	100	

\*We also supply other size with the same Cable Tray profile.

# Perforated Cable Tray System

## Perforated Cable Tray Straight "Type C" 45 Degree (45D)



**Splice Plate**



**Perforated Cable Tray "Type C" - 45 Degree (45D)**

**Dimension in Millimeter (mm)**  
 L : Length  
 W : Width  
 H : Height

### Perforated Cable Tray Straight "Type C" - 45 Degree (45D)

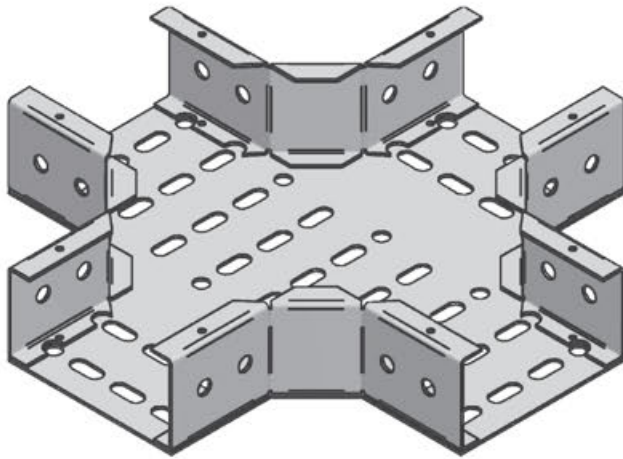
Model	Nominal Size (mm)			Thickness
	Body (LxWxH)		Splice Plate (H)	
SCT/C-(50X50)(45D)	2438/3000	50	50	1.5
SCT/C-(75X50)(45D)		75	50	
SCT/C-(100X50)(45D)		100	50	
SCT/C-(150X50)(45D)		150	50	
SCT/C-(200X50)(45D)		200	50	
SCT/C-(250X50)(45D)		250	50	
SCT/C-(300X50)(45D)		300	50	
SCT/C-(350X50)(45D)		350	50	
SCT/C-(400X50)(45D)		400	50	
SCT/C-(450X50)(45D)		450	50	
SCT/C-(500X50)(45D)		500	50	2.0
SCT/C-(550X50)(45D)		550	50	
SCT/C-(600X50)(45D)		600	50	
SCT/C-(650X50)(45D)		650	50	
SCT/C-(700X50)(45D)		700	50	
SCT/C-(750X50)(45D)		750	50	
SCT/C-(800X50)(45D)		800	50	
SCT/C-(850X50)(45D)		850	50	
SCT/C-(900X50)(45D)		900	50	
SCT/C-(950X50)(45D)		950	50	
SCT/C-(1000X50)(45D)	1000	50		
SCT/C-(75X75)(45D)	2438/3000	75	75	1.5
SCT/C-(100X75)(45D)		100	75	
SCT/C-(150X75)(45D)		150	75	
SCT/C-(200X75)(45D)		200	75	
SCT/C-(250X75)(45D)		250	75	
SCT/C-(300X75)(45D)		300	75	
SCT/C-(350X75)(45D)		350	75	
SCT/C-(400X75)(45D)		400	75	
SCT/C-(450X75)(45D)		450	75	
SCT/C-(500X75)(45D)		500	75	
SCT/C-(550X75)(45D)		550	75	
SCT/C-(600X75)(45D)		600	75	
SCT/C-(650X75)(45D)		650	75	
SCT/C-(700X75)(45D)		700	75	
SCT/C-(750X75)(45D)		750	75	
SCT/C-(800X75)(45D)		800	75	
SCT/C-(850X75)(45D)		850	75	
SCT/C-(900X75)(45D)		900	75	
SCT/C-(950X75)(45D)		950	75	
SCT/C-(1000X75)(45D)		1000	75	

\*\*Specification subject to change without prior notice.

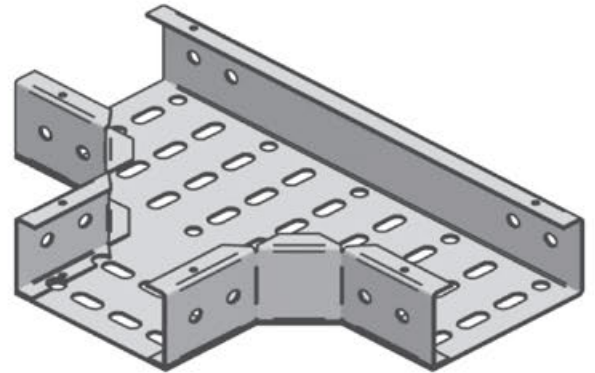
Model	Nominal Size (mm)			Thickness
	Body (LxWxH)		Splice Plate (H)	
SCT/C-(100X100)(45D)	2438/3000	100	100	1.5
SCT/C-(150X100)(45D)		150	100	
SCT/C-(200X100)(45D)		200	100	
SCT/C-(250X100)(45D)		250	100	
SCT/C-(300X100)(45D)		300	100	
SCT/C-(350X100)(45D)		350	100	
SCT/C-(400X100)(45D)		400	100	
SCT/C-(450X100)(45D)		450	100	
SCT/C-(500X100)(45D)		500	100	
SCT/C-(550X100)(45D)		550	100	
SCT/C-(600X100)(45D)		600	100	
SCT/C-(650X100)(45D)		650	100	
SCT/C-(700X100)(45D)		700	100	
SCT/C-(750X100)(45D)		750	100	
SCT/C-(800X100)(45D)		800	100	
SCT/C-(850X100)(45D)		850	100	
SCT/C-(900X100)(45D)		900	100	
SCT/C-(950X100)(45D)		950	100	
SCT/C-(1000X100)(45D)		1000	100	

\*We also supply other size with the same Cable Tray profile.

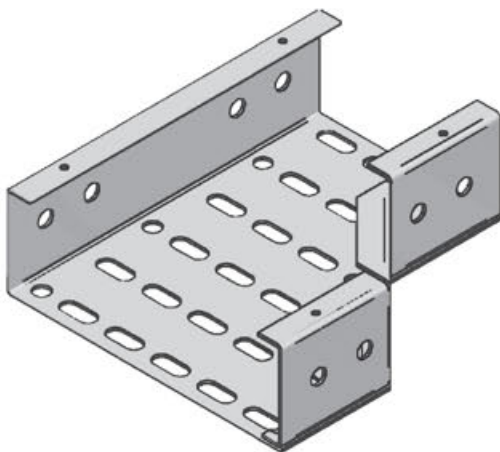




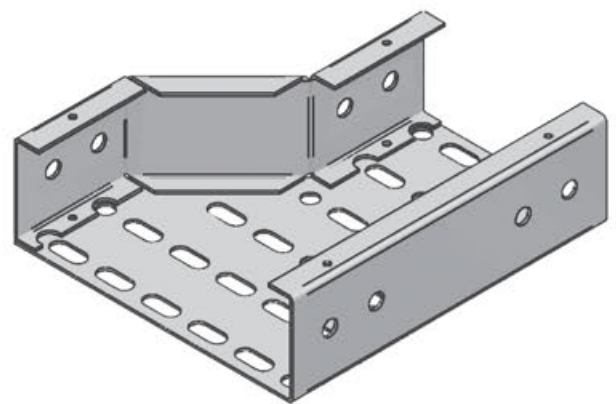
**Flatwise Equal/Unequal Cross**  
SCT/C (90D) AC-1



**Flatwise Equal/Unequal Tee**  
SCT/C (90D) AC-2



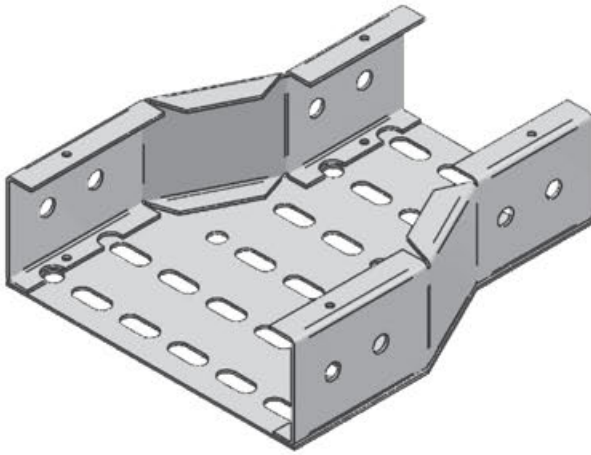
**Righthand Reducer**  
SCT/C (90D) AC-3



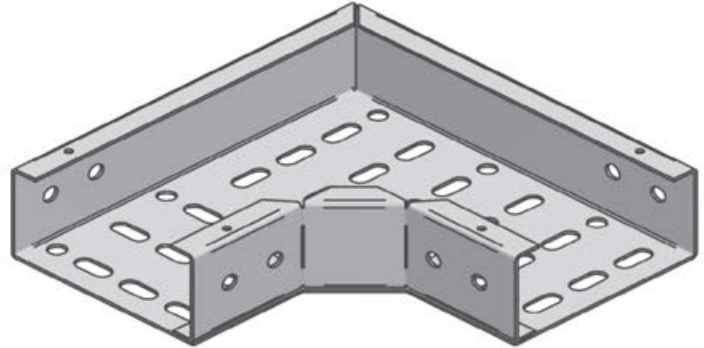
**Lefthand Reducer**  
SCT/C (90D) AC-4

**"Type C" (90D)**

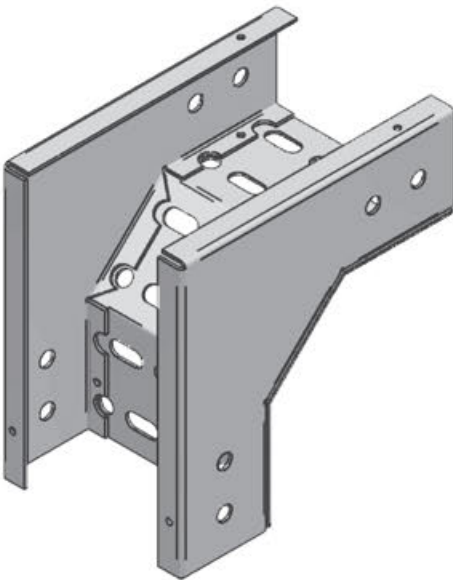
\*\*Other design and sizes are available upon request.



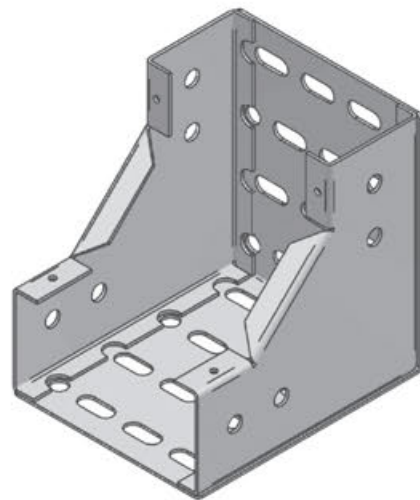
**Straight Reducer**  
SCT/C (90D) AC-5



**Flatwise Elbow**  
SCT/C (90D) AC-6



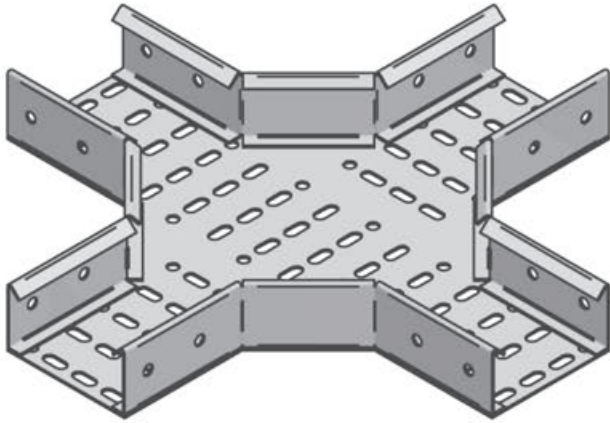
**Edgewise Elbow Left**  
SCT/C (90D) AC-7



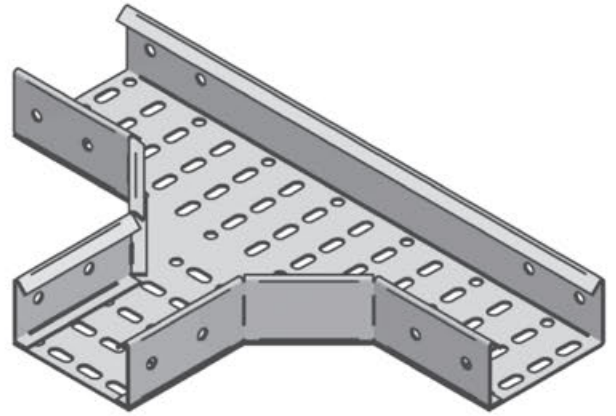
**Edgewise Elbow Right**  
SCT/C (90D) AC-8

**"Type C" (90D)**

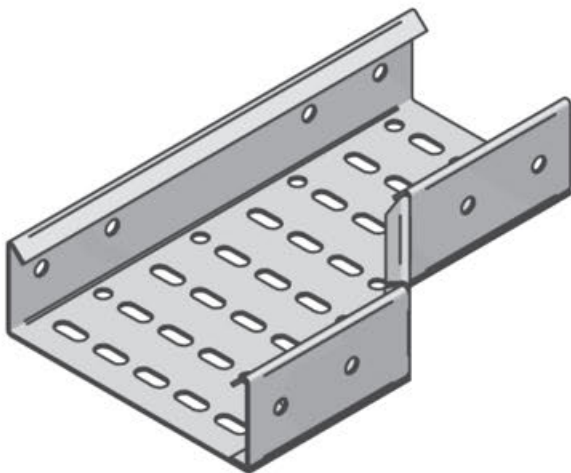
\*\*Other design and sizes are available upon request.



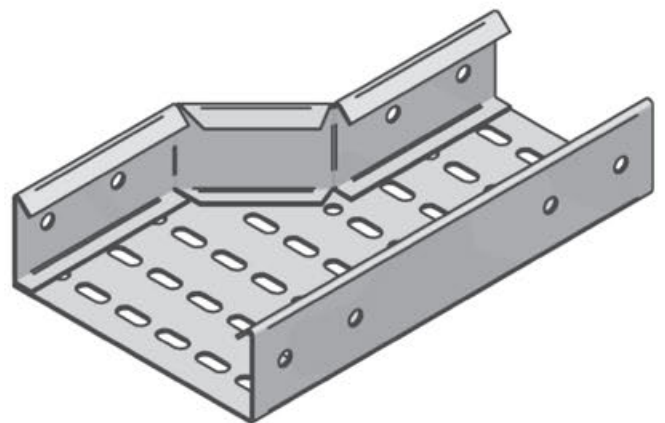
**Flatwise Equal/Unequal Cross**  
SCT/C (45D) AC-1



**Flatwise Equal/Unequal Tee**  
SCT/C (45D) AC-2



**Righthand Reducer**  
SCT/C (45D) AC-3

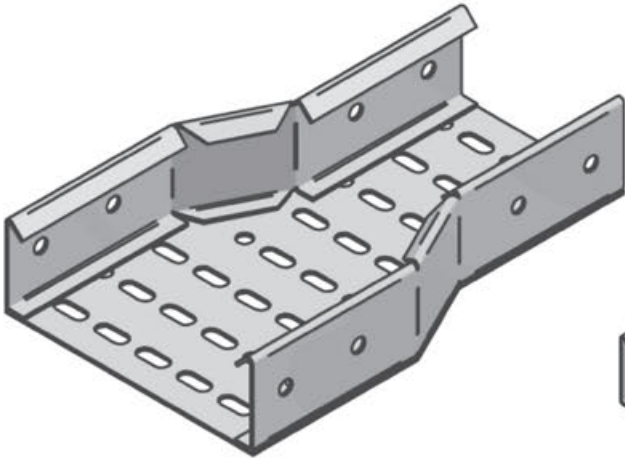


**Lefthand Reducer**  
SCT/C (45D) AC-4

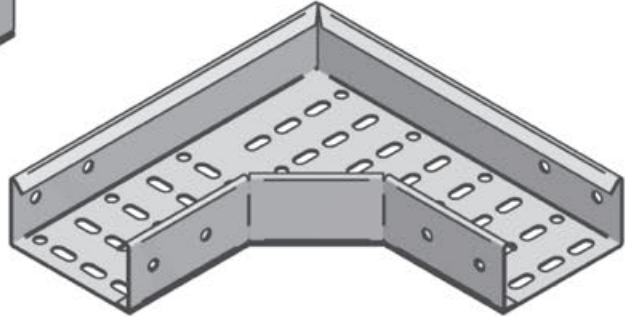
**"Type C" (45D)** 

\*\*Other design and sizes are available upon request.

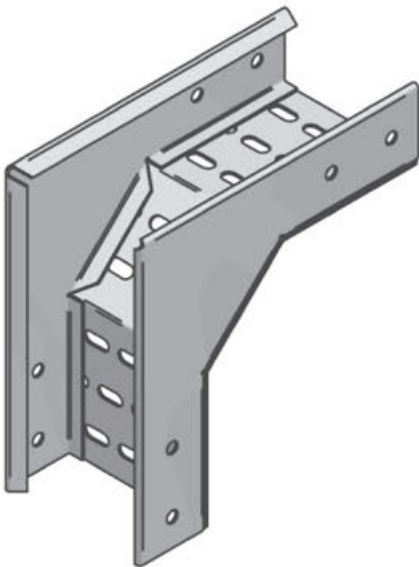




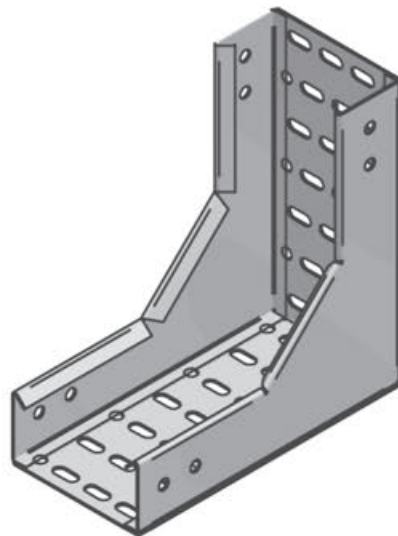
**Straight Reducer**  
SCT/C (45D) AC-5



**Flatwise Elbow**  
SCT/C (45D) AC-6



**Edgewise Elbow Left**  
SCT/C (45D) AC-7



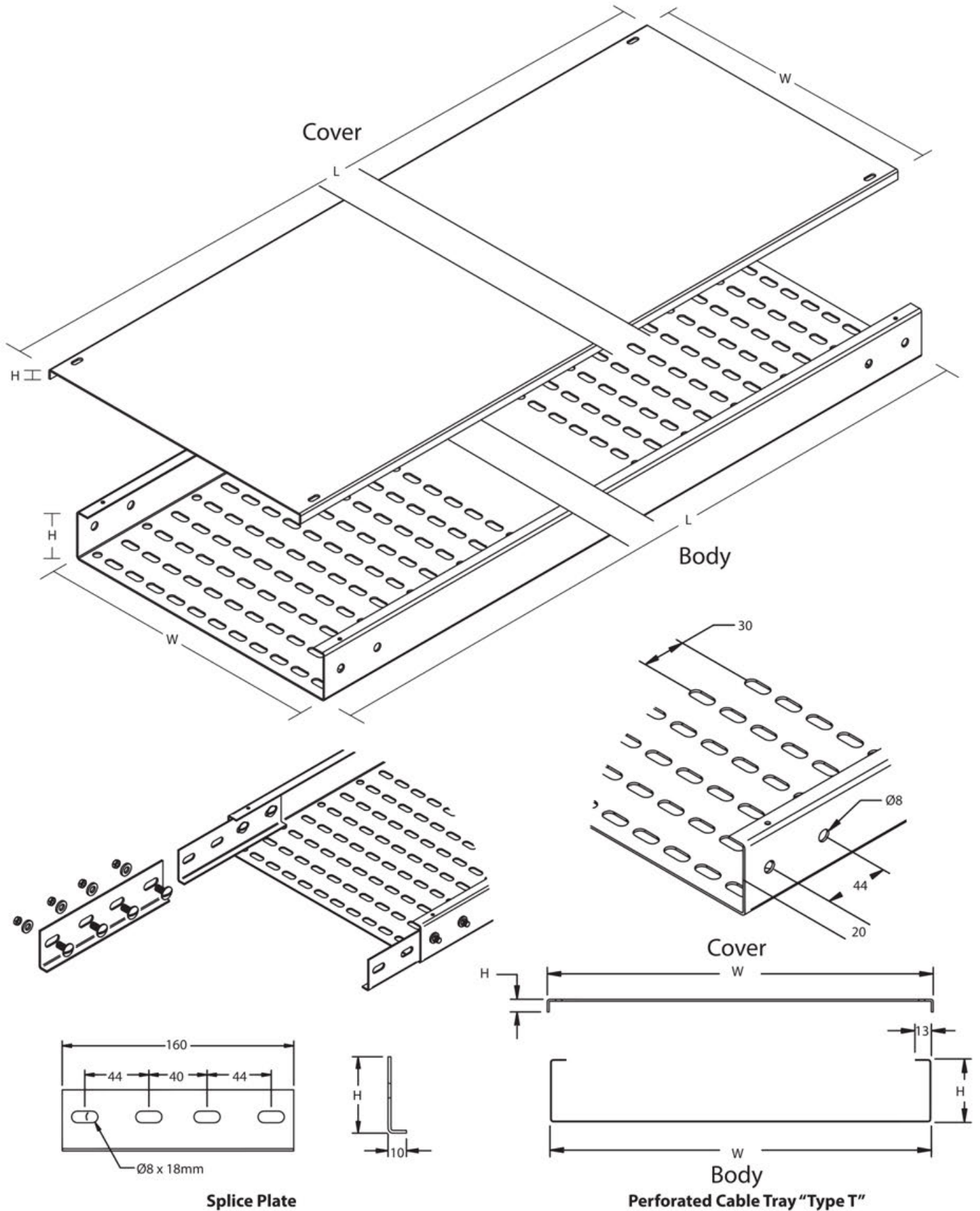
**Edgewise Elbow Right**  
SCT/C (45D) AC-8

**"Type C" (45D)** 

\*\*Other design and sizes are available upon request.

# Perforated Cable Tray System

## Perforated Cable Tray Straight "Type T"



### Perforated Cable Tray Straight "Type T"

Model	Nominal Size (mm)					Thickness
	Body (LxWxH)		Cover (WxH)	Splice Plate (H)		
SCT/T-(50X50)	2438/3000	50	50	55	11	1.5
SCT/T-(75X50)		75	50	80	11	
SCT/T-(100X50)		100	50	105	11	
SCT/T-(150X50)		150	50	155	11	
SCT/T-(200X50)		200	50	205	11	
SCT/T-(250X50)		250	50	255	11	
SCT/T-(300X50)		300	50	305	11	
SCT/T-(350X50)		350	50	356	11	
SCT/T-(400X50)		400	50	406	11	
SCT/T-(450X50)		450	50	456	11	
SCT/T-(500X50)		500	50	506	11	2.0
SCT/T-(550X50)		550	50	556	11	
SCT/T-(600X50)		600	50	606	11	
SCT/T-(650X50)		650	50	656	11	
SCT/T-(700X50)		700	50	706	11	
SCT/T-(750X50)		750	50	756	11	
SCT/T-(800X50)		800	50	806	11	
SCT/T-(850X50)		850	50	856	11	
SCT/T-(900X50)		900	50	906	11	
SCT/T-(950X50)		950	50	956	11	
SCT/T-(1000X50)	1000	50	1006	11		
SCT/T-(75X75)	2438/3000	75	75	80	11	1.5
SCT/T-(100X75)		100	75	105	11	
SCT/T-(150X75)		150	75	155	11	
SCT/T-(200X75)		200	75	205	11	
SCT/T-(250X75)		250	75	255	11	
SCT/T-(300X75)		300	75	305	11	
SCT/T-(350X75)		350	75	356	11	
SCT/T-(400X75)		400	75	406	11	
SCT/T-(450X75)		450	75	456	11	
SCT/T-(500X75)		500	75	506	11	
SCT/T-(550X75)		550	75	556	11	
SCT/T-(600X75)		600	75	606	11	
SCT/T-(650X75)		650	75	656	11	
SCT/T-(700X75)		700	75	706	11	
SCT/T-(750X75)		750	75	756	11	
SCT/T-(800X75)		800	75	806	11	
SCT/T-(850X75)		850	75	856	11	
SCT/T-(900X75)		900	75	906	11	
SCT/T-(950X75)		950	75	956	11	
SCT/T-(1000X75)		1000	75	1006	11	

\*\*Specification subject to change without prior notice.

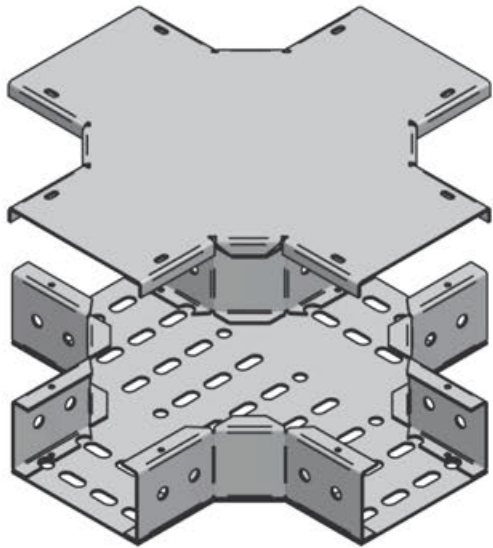
Model	Nominal Size (mm)					Thickness	
	Body (LxWxH)		Cover (WxH)	Splice Plate (H)			
SCT/T-(100X100)	2438/3000	100	100	105	11	1.5	
SCT/T-(150X100)		150	100	155	11		
SCT/T-(200X100)		200	100	205	11		
SCT/T-(250X100)		250	100	255	11		
SCT/T-(300X100)		300	100	305	11		
SCT/T-(350X100)		350	100	356	11		
SCT/T-(400X100)		400	100	406	11		
SCT/T-(450X100)		450	100	456	11		
SCT/T-(500X100)		500	100	506	11		2.0
SCT/T-(550X100)		550	100	556	11		
SCT/T-(600X100)		600	100	606	11		
SCT/T-(650X100)		650	100	656	11		
SCT/T-(700X100)		700	100	706	11		
SCT/T-(750X100)		750	100	756	11		
SCT/T-(800X100)		800	100	806	11		
SCT/T-(850X100)		850	100	856	11		
SCT/T-(900X100)		900	100	906	11		
SCT/T-(950X100)		950	100	956	11		
SCT/T-(1000X100)		1000	100	1006	11		

\*We also supply other size with the same Cable Tray profile.

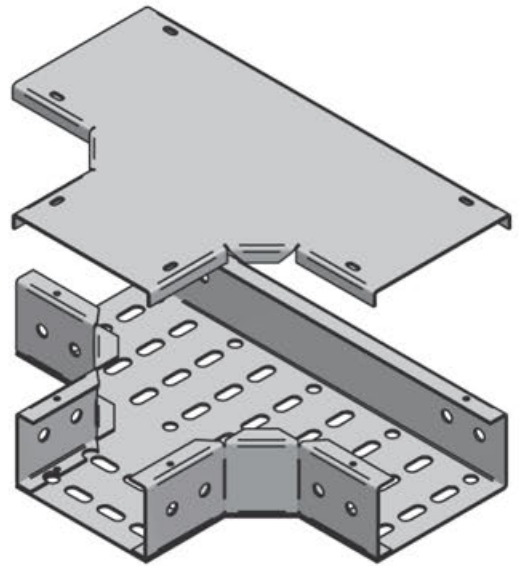
#### Dimension in Millimeter (mm)

- L : Length
- W : Width
- H : Height

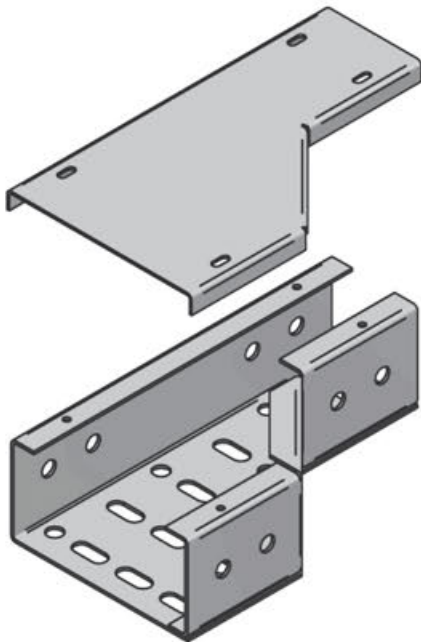




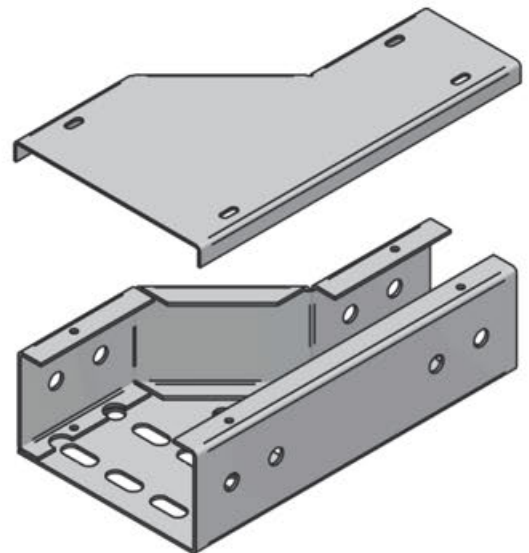
**Flatwise Cross**  
SCT/T (90D) AC-1



**Flatwise Tee**  
SCT/T (90D) AC-2



**Righthand Reducer**  
SCT/T AC-3

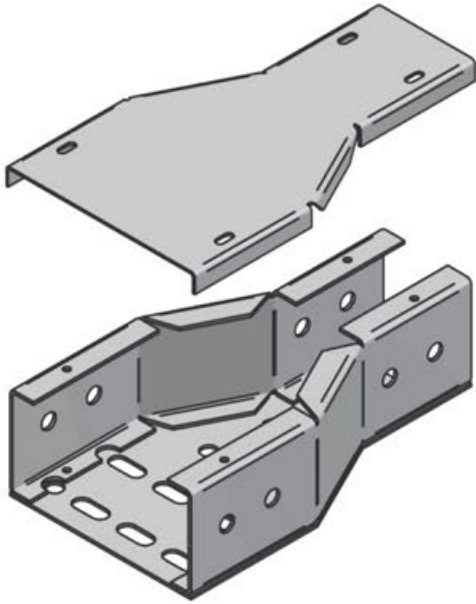


**Lefthand Reducer**  
SCT/T AC-4

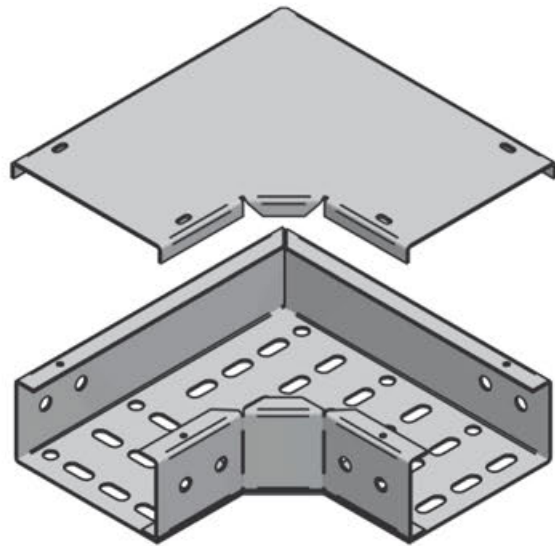
**"Type T"**



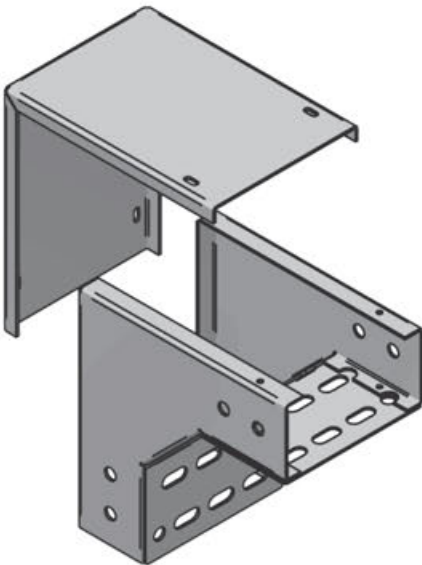
\*\*Other design and sizes are available upon request.



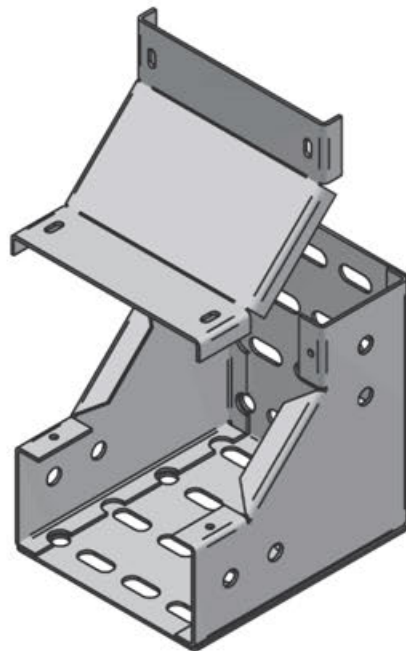
**Straight Reducer**  
SCT/T AC-5



**Flatwise Elbow**  
SCT/T (90D) AC-6



**Edgewise Elbow Left**  
SCT/T AC-7



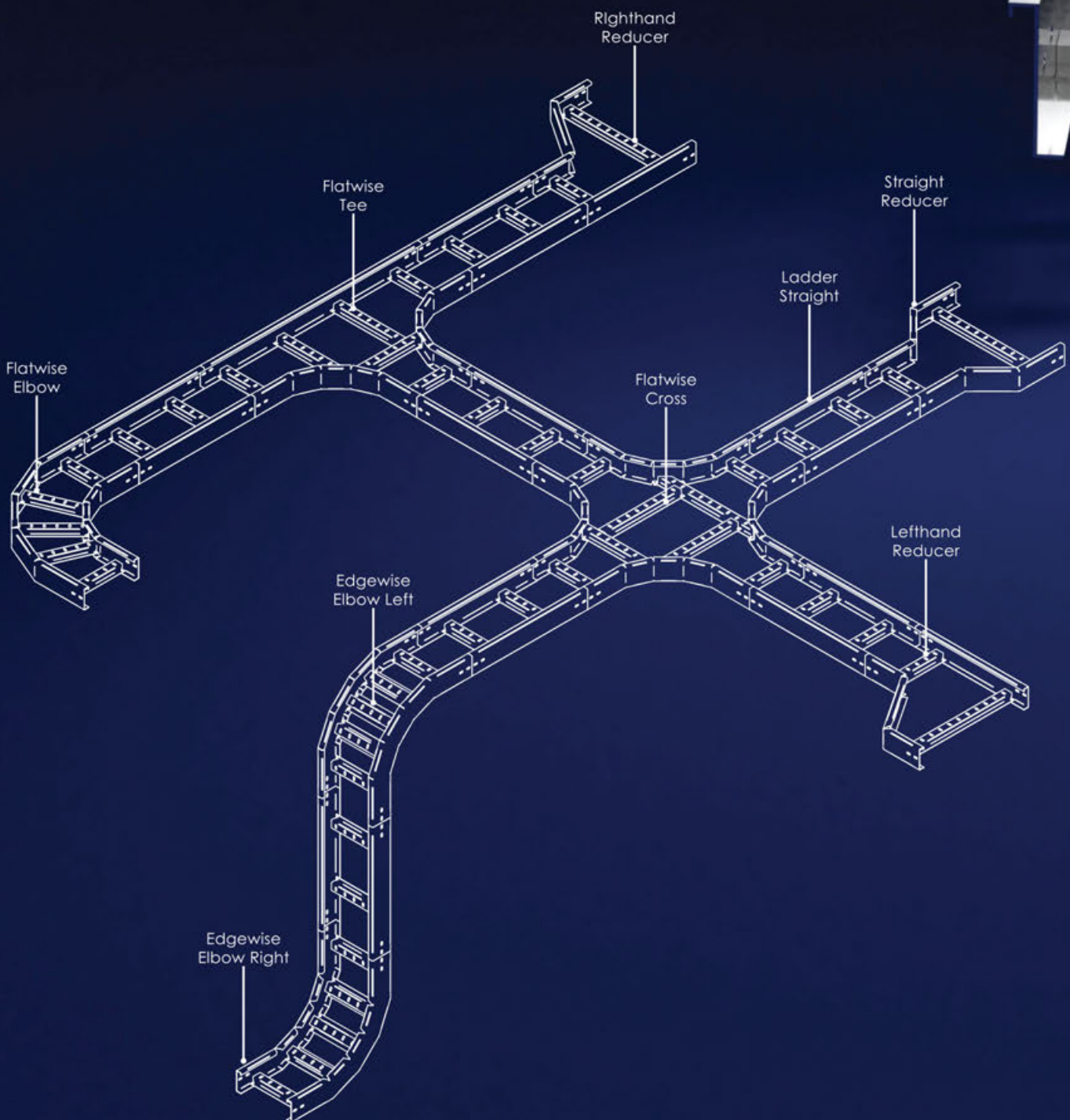
**Edgewise Elbow Right**  
SCT/T (90D) AC-8

**"Type T"** 

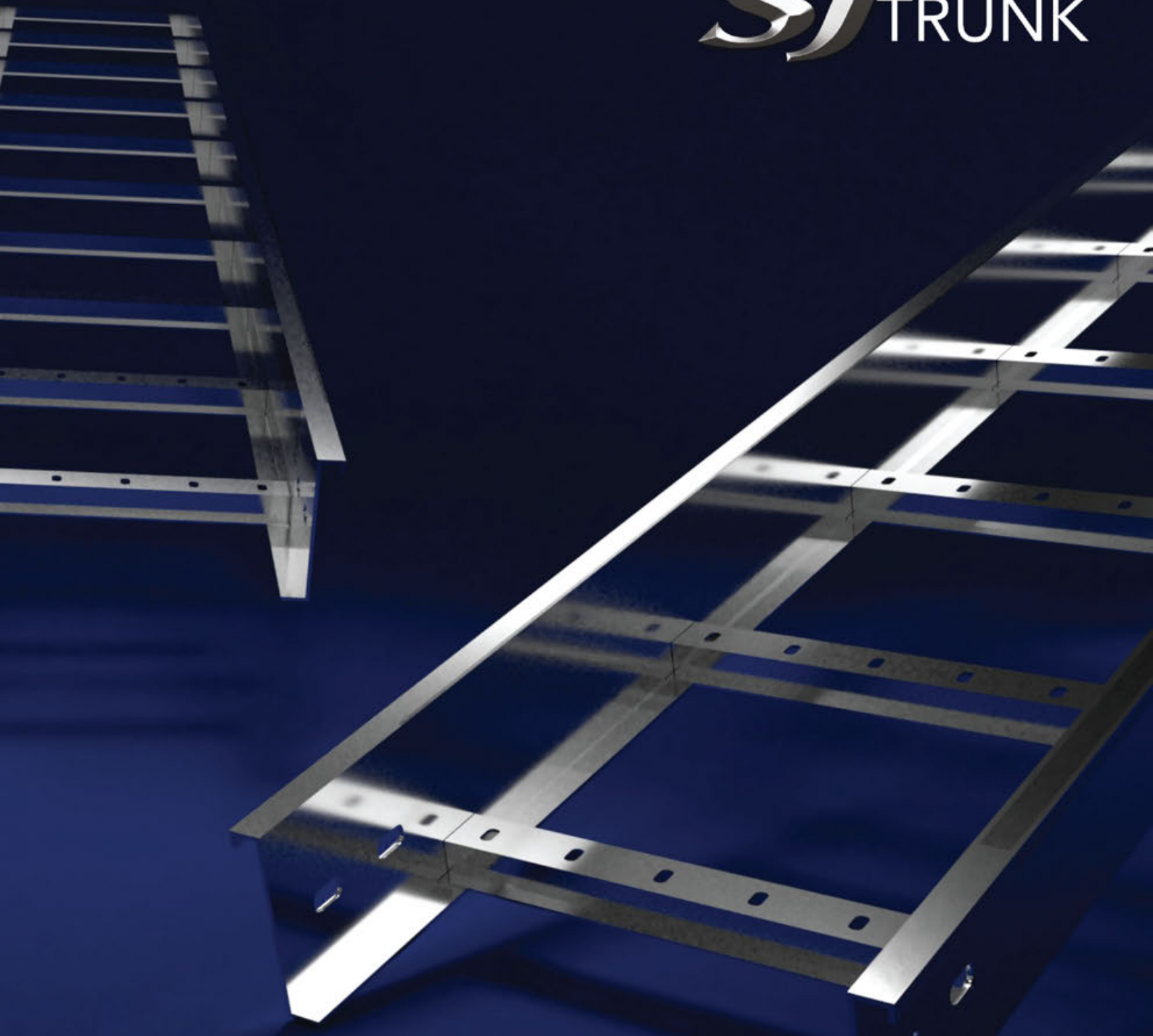
\*\*Other design and sizes are available upon request.

# Cable Ladder System

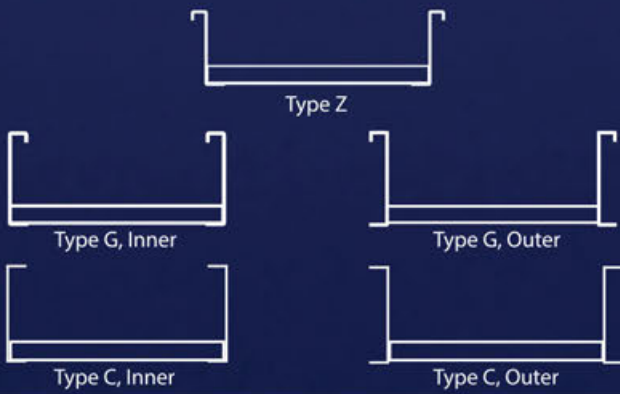
Cable ladder is system component used for cable support consisting of supporting side members, fixed to each other by means of rungs. Cable ladder is typically of stronger built and able to carry more load. The configuration is easy thus less accessories are required. One of the design advantages is it can get cable drops through the rungs and an extra riser is not required.







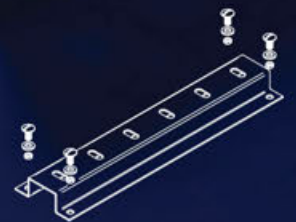
### Section Cable Ladder



### Section Rungs Profile



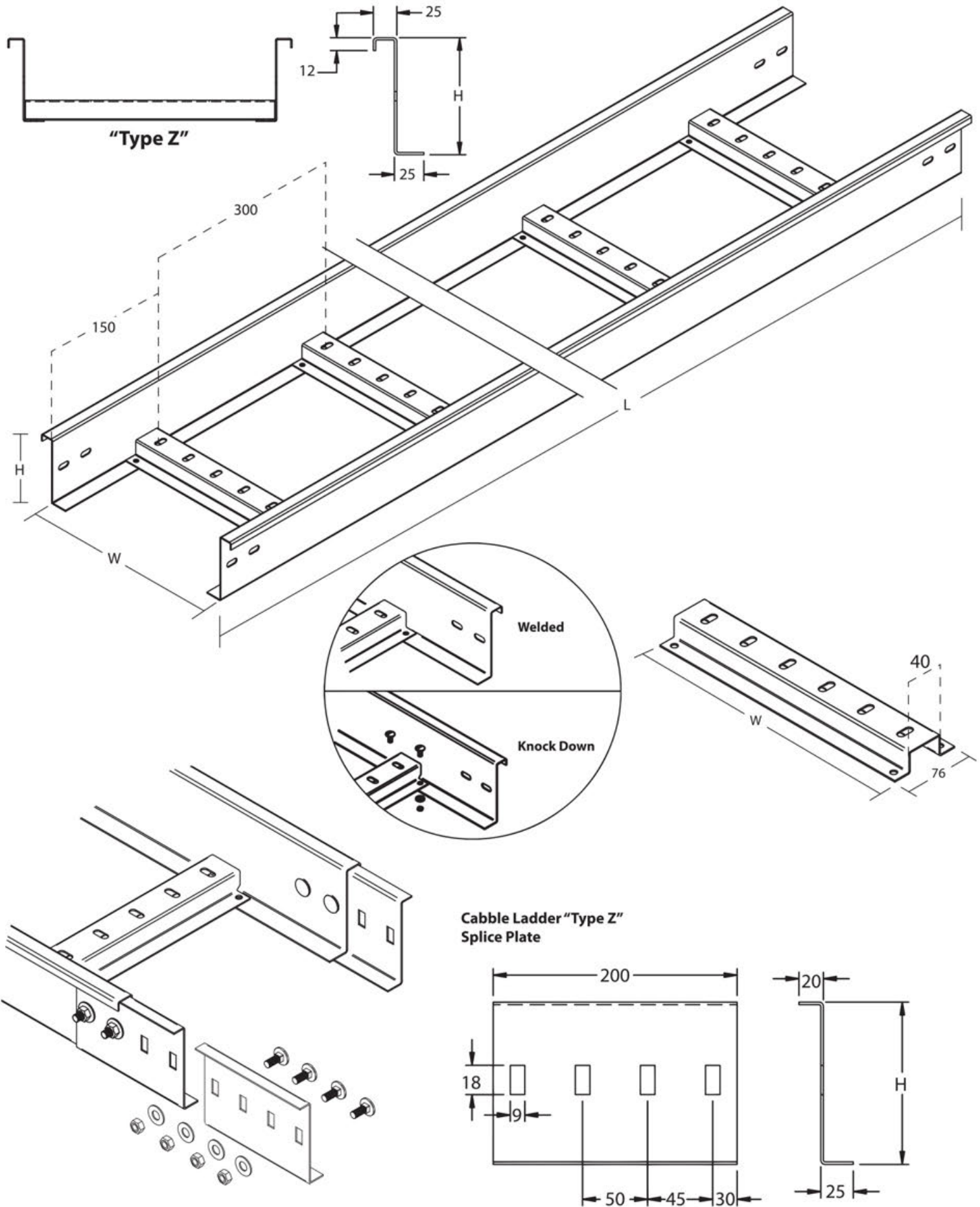
Welded (WD)



Knock Down (KD)

# Cable Ladder System

## Cable Ladder Straight "Type Z" (Welded / Knock Down)



### Cable Ladder "Type Z" - Welded (WD)

Model	Nominal Size (mm)			Thickness	
	Body (LxWxH)		Splice Plate (H)		
SCL/Z-(150X50)-WD	2438 / 3000	150	50	49	2
SCL/Z-(200X50)-WD		200	50		
SCL/Z-(250X50)-WD		250	50		
SCL/Z-(300X50)-WD		300	50		
SCL/Z-(150X75)-WD	150	75	74		
SCL/Z-(200X75)-WD	200	75			
SCL/Z-(250X75)-WD	250	75			
SCL/Z-(300X75)-WD	300	75			
SCL/Z-(450X75)-WD	450	75			
SCL/Z-(600X75)-WD	600	75			
SCL/Z-(900X75)-WD	900	75			
SCL/Z-(150X100)-WD	150	100	99		
SCL/Z-(200X100)-WD	200	100			
SCL/Z-(250X100)-WD	250	100			
SCL/Z-(300X100)-WD	300	100			
SCL/Z-(400X100)-WD	400	100			
SCL/Z-(450X100)-WD	450	100			
SCL/Z-(500X100)-WD	500	100			
SCL/Z-(600X100)-WD	600	100			
SCL/Z-(750X100)-WD	750	100			
SCL/Z-(900X100)-WD	900	100			
SCL/Z-(1000X100)-WD	1000	100			
SCL/Z-(200X125)-WD	200	125	124		
SCL/Z-(250X125)-WD	250	125			
SCL/Z-(300X125)-WD	300	125			
SCL/Z-(400X125)-WD	400	125			
SCL/Z-(450X125)-WD	450	125			
SCL/Z-(500X125)-WD	500	125			
SCL/Z-(600X125)-WD	600	125			
SCL/Z-(750X125)-WD	750	125			
SCL/Z-(900X125)-WD	900	125			
SCL/Z-(1000X125)-WD	1000	125			
SCL/Z-(200X150)-WD	200	150	149		
SCL/Z-(250X150)-WD	250	150			
SCL/Z-(300X150)-WD	300	150			
SCL/Z-(400X150)-WD	400	150			
SCL/Z-(450X150)-WD	450	150			
SCL/Z-(500X150)-WD	500	150			
SCL/Z-(600X150)-WD	600	150			
SCL/Z-(750X150)-WD	750	150			
SCL/Z-(900X150)-WD	900	150			
SCL/Z-(1000X150)-WD	1000	150			

\*\*Specification subject to change without prior notice.

### Cable Ladder "Type Z" - Knock Down (KD)

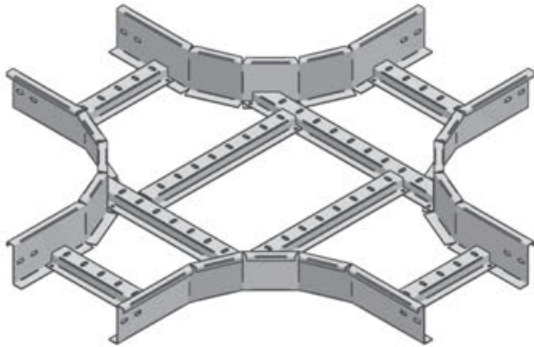
Model	Nominal Size (mm)			Thickness	
	Body (LxWxH)		Splice Plate (H)		
SCL/Z-(150X50)-KD	2438 / 3000	150	50	49	2
SCL/Z-(200X50)-KD		200	50		
SCL/Z-(250X50)-KD		250	50		
SCL/Z-(300X50)-KD		300	50		
SCL/Z-(150X75)-KD	150	75	74		
SCL/Z-(200X75)-KD	200	75			
SCL/Z-(250X75)-KD	250	75			
SCL/Z-(300X75)-KD	300	75			
SCL/Z-(450X75)-KD	450	75			
SCL/Z-(600X75)-KD	600	75			
SCL/Z-(900X75)-KD	900	75			
SCL/Z-(150X100)-KD	150	100	99		
SCL/Z-(200X100)-KD	200	100			
SCL/Z-(250X100)-KD	250	100			
SCL/Z-(300X100)-KD	300	100			
SCL/Z-(400X100)-KD	400	100			
SCL/Z-(450X100)-KD	450	100			
SCL/Z-(500X100)-KD	500	100			
SCL/Z-(600X100)-KD	600	100			
SCL/Z-(750X100)-KD	750	100			
SCL/Z-(900X100)-KD	900	100			
SCL/Z-(1000X100)-KD	1000	100			
SCL/Z-(200X125)-KD	200	125	124		
SCL/Z-(250X125)-KD	250	125			
SCL/Z-(300X125)-KD	300	125			
SCL/Z-(400X125)-KD	400	125			
SCL/Z-(450X125)-KD	450	125			
SCL/Z-(500X125)-KD	500	125			
SCL/Z-(600X125)-KD	600	125			
SCL/Z-(750X125)-KD	750	125			
SCL/Z-(900X125)-KD	900	125			
SCL/Z-(1000X125)-KD	1000	125			
SCL/Z-(200X150)-KD	200	150	149		
SCL/Z-(250X150)-KD	250	150			
SCL/Z-(300X150)-KD	300	150			
SCL/Z-(400X150)-KD	400	150			
SCL/Z-(450X150)-KD	450	150			
SCL/Z-(500X150)-KD	500	150			
SCL/Z-(600X150)-KD	600	150			
SCL/Z-(750X150)-KD	750	150			
SCL/Z-(900X150)-KD	900	150			
SCL/Z-(1000X150)-KD	1000	150			

\*We also supply other size with the same Cable Tray profile.

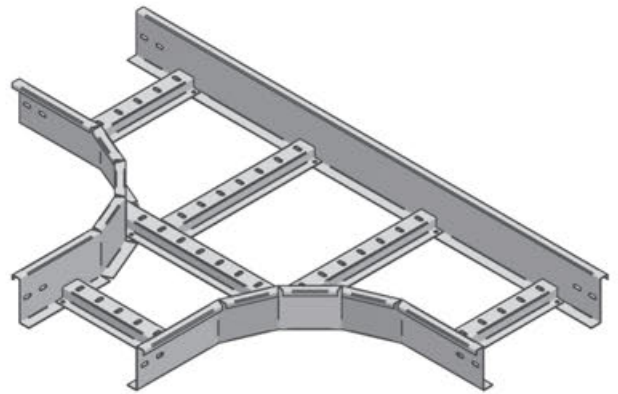
#### Dimension in Millimeter (mm)

L : Length  
W : Width  
H : Height

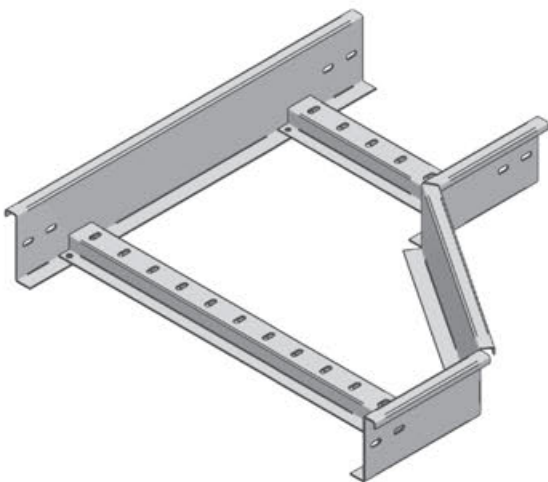
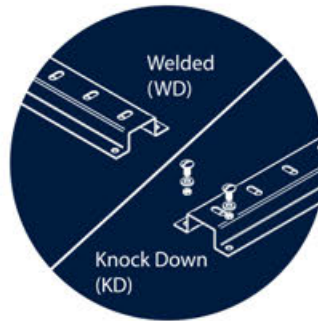




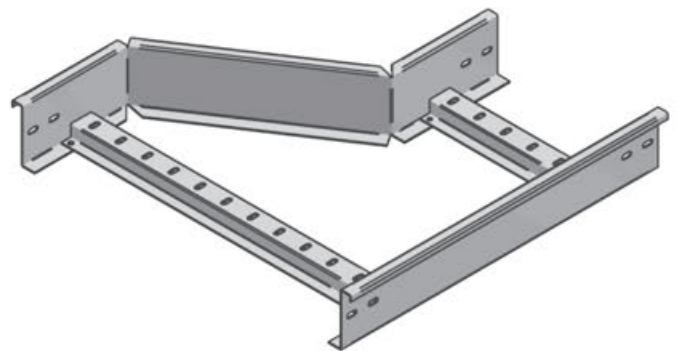
**Flatwise Equal/Unequal Cross**  
SCL/Z/WD AC-1  
SCL/Z/KD AC-1



**Flatwise Equal/Unequal Tee**  
SCL/Z/WD AC-2  
SCL/Z/KD AC-2



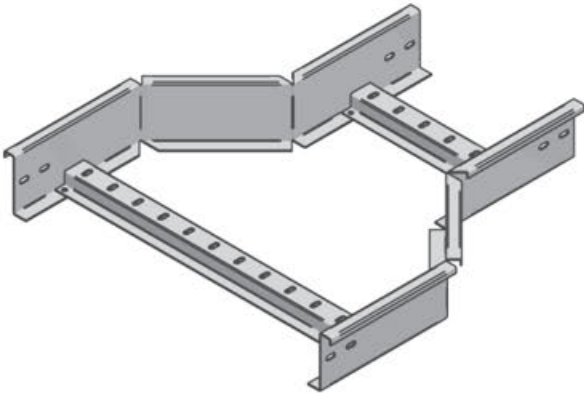
**Righthand Reducer**  
SCL/Z/WD AC-3  
SCL/Z/KD AC-3



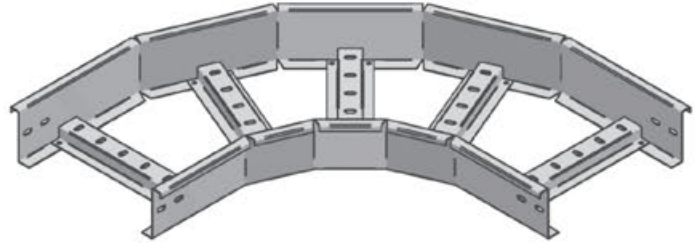
**Lefthand Reducer**  
SCL/Z/WD AC-4  
SCL/Z/KD AC-4

**"Type Z" - WD/KD** 

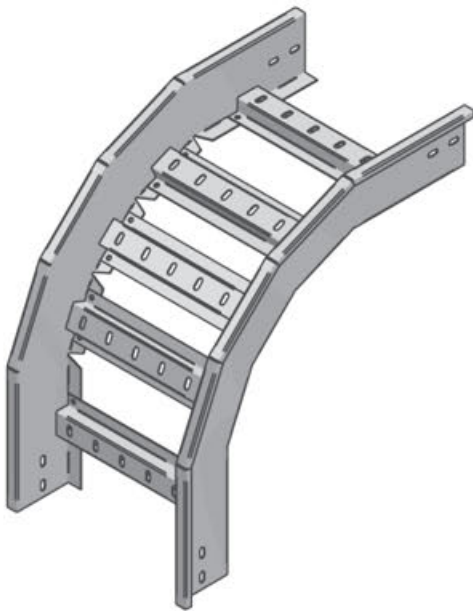
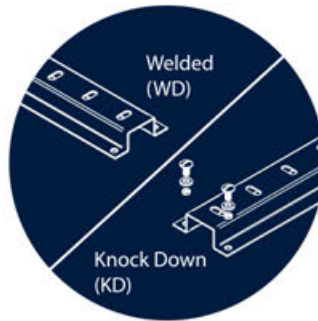
\*\*Other design and sizes are available upon request.



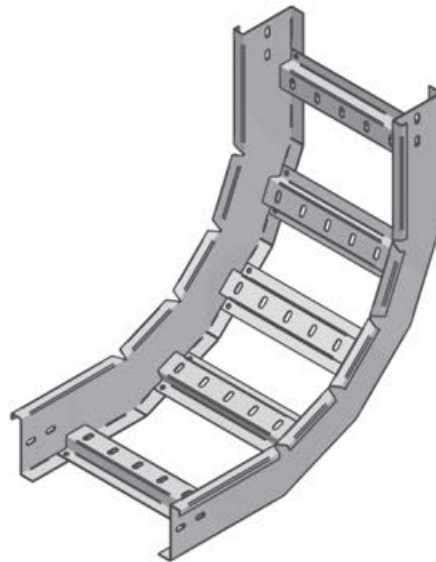
**Straight Reducer**  
SCL/Z/WD AC-5  
SCL/Z/KD AC-5



**Flatwise Elbow**  
SCL/Z/WD AC-6  
SCL/Z/KD AC-6



**Edgewise Elbow Left**  
SCL/Z/WD AC-7  
SCL/Z/KD AC-7



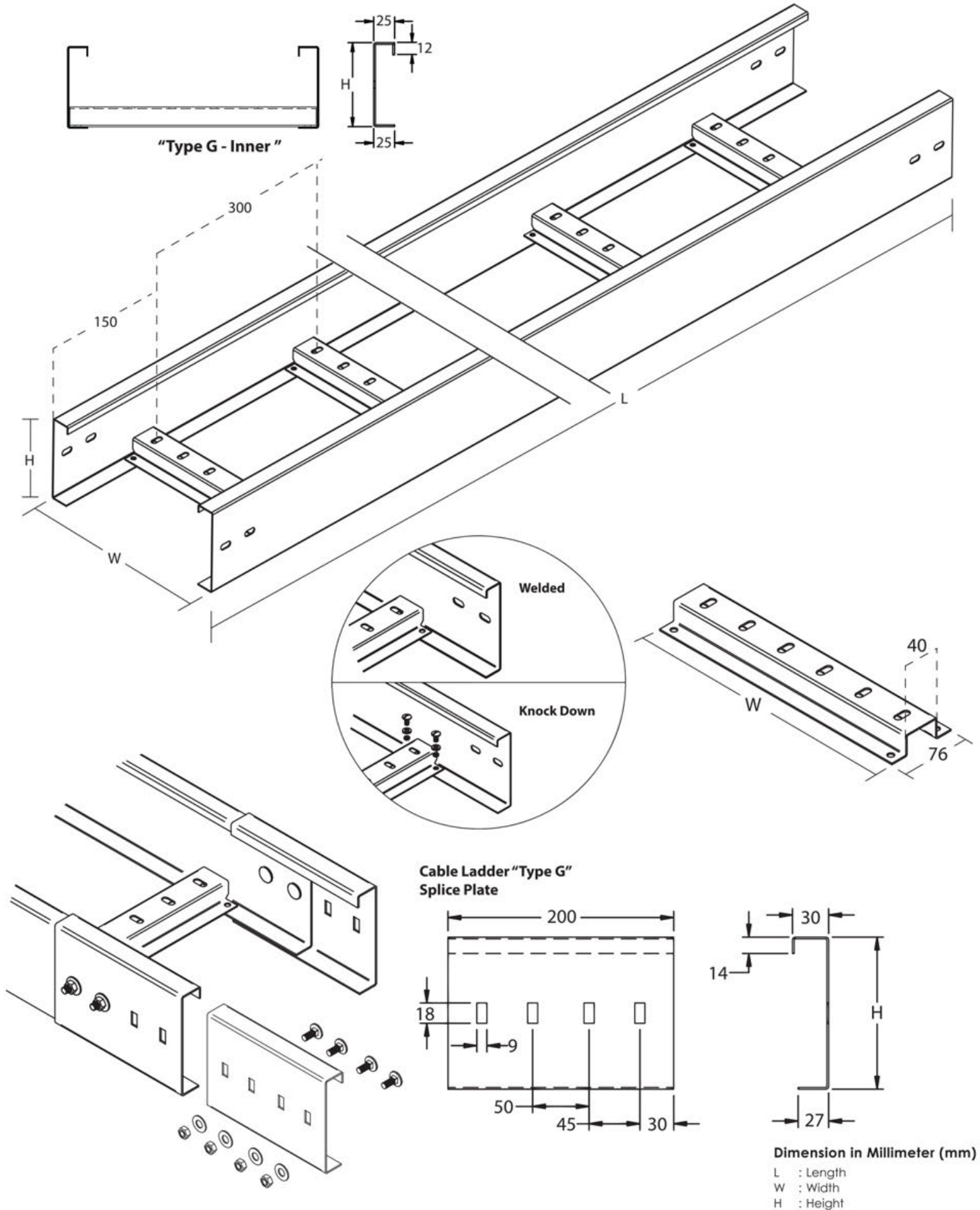
**Edgewise Elbow Right**  
SCL/Z/WD AC-8  
SCL/Z/KD AC-8

**"Type Z" - WD/KD**

\*\*Other design and sizes are available upon request.

# Cable Ladder System

## Cable Ladder Straight "Type G - Inner" (Welded / Knock Down)





### Cable Ladder "Type G - Inner" - Welded (WD)

Model	Nominal Size (mm)			Thickness	
	Body (LxWxH)		Splice Plate (H)		
SCL/G/I-(150X50)-WD	2438 / 3000	150	50	55	2
SCL/G/I-(200X50)-WD		200	50		
SCL/G/I-(250X50)-WD		250	50		
SCL/G/I-(300X50)-WD		300	50		
SCL/G/I-(150X75)-WD	2438 / 3000	150	75	80	2
SCL/G/I-(200X75)-WD		200	75		
SCL/G/I-(250X75)-WD		250	75		
SCL/G/I-(300X75)-WD		300	75		
SCL/G/I-(450X75)-WD		450	75		
SCL/G/I-(600X75)-WD		600	75		
SCL/G/I-(900X75)-WD	900	75	105	2	
SCL/G/I-(150X100)-WD	150	100			
SCL/G/I-(200X100)-WD	200	100			
SCL/G/I-(250X100)-WD	250	100			
SCL/G/I-(300X100)-WD	300	100			
SCL/G/I-(400X100)-WD	400	100			
SCL/G/I-(450X100)-WD	450	100			
SCL/G/I-(500X100)-WD	500	100			
SCL/G/I-(600X100)-WD	600	100			
SCL/G/I-(750X100)-WD	750	100			
SCL/G/I-(900X100)-WD	900	100	130	2	
SCL/G/I-(1000X100)-WD	1000	100			
SCL/G/I-(200X125)-WD	200	125			
SCL/G/I-(250X125)-WD	250	125			
SCL/G/I-(300X125)-WD	300	125			
SCL/G/I-(400X125)-WD	400	125			
SCL/G/I-(450X125)-WD	450	125			
SCL/G/I-(500X125)-WD	500	125			
SCL/G/I-(600X125)-WD	600	125			
SCL/G/I-(750X125)-WD	750	125			
SCL/G/I-(900X125)-WD	900	125	155	2	
SCL/G/I-(1000X125)-WD	1000	125			
SCL/G/I-(200X150)-WD	200	150			
SCL/G/I-(250X150)-WD	250	150			
SCL/G/I-(300X150)-WD	300	150			
SCL/G/I-(400X150)-WD	400	150			
SCL/G/I-(450X150)-WD	450	150			
SCL/G/I-(500X150)-WD	500	150			
SCL/G/I-(600X150)-WD	600	150			
SCL/G/I-(750X150)-WD	750	150			
SCL/G/I-(900X150)-WD	900	150	150	2	
SCL/G/I-(1000X150)-WD	1000	150			

\*\*Specification subject to change without prior notice.

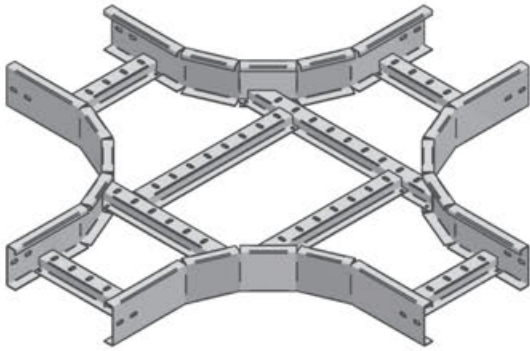
### Cable Ladder "Type G - Inner" - Knock Down (KD)

Model	Nominal Size (mm)			Thickness	
	Body (LxWxH)		Splice Plate (H)		
SCL/G/I-(150X50)-KD	2438 / 3000	150	50	55	2
SCL/G/I-(200X50)-KD		200	50		
SCL/G/I-(250X50)-KD		250	50		
SCL/G/I-(300X50)-KD		300	50		
SCL/G/I-(150X75)-KD	2438 / 3000	150	75	80	2
SCL/G/I-(200X75)-KD		200	75		
SCL/G/I-(250X75)-KD		250	75		
SCL/G/I-(300X75)-KD		300	75		
SCL/G/I-(450X75)-KD		450	75		
SCL/G/I-(600X75)-KD		600	75		
SCL/G/I-(900X75)-KD	900	75	105	2	
SCL/G/I-(150X100)-KD	150	100			
SCL/G/I-(200X100)-KD	200	100			
SCL/G/I-(250X100)-KD	250	100			
SCL/G/I-(300X100)-KD	300	100			
SCL/G/I-(400X100)-KD	400	100			
SCL/G/I-(450X100)-KD	450	100			
SCL/G/I-(500X100)-KD	500	100			
SCL/G/I-(600X100)-KD	600	100			
SCL/G/I-(750X100)-KD	750	100			
SCL/G/I-(900X100)-KD	900	100	130	2	
SCL/G/I-(1000X100)-KD	1000	100			
SCL/G/I-(200X125)-KD	200	125			
SCL/G/I-(250X125)-KD	250	125			
SCL/G/I-(300X125)-KD	300	125			
SCL/G/I-(400X125)-KD	400	125			
SCL/G/I-(450X125)-KD	450	125			
SCL/G/I-(500X125)-KD	500	125			
SCL/G/I-(600X125)-KD	600	125			
SCL/G/I-(750X125)-KD	750	125			
SCL/G/I-(900X125)-KD	900	125	155	2	
SCL/G/I-(1000X125)-KD	1000	125			
SCL/G/I-(200X150)-KD	200	150			
SCL/G/I-(250X150)-KD	250	150			
SCL/G/I-(300X150)-KD	300	150			
SCL/G/I-(400X150)-KD	400	150			
SCL/G/I-(450X150)-KD	450	150			
SCL/G/I-(500X150)-KD	500	150			
SCL/G/I-(600X150)-KD	600	150			
SCL/G/I-(750X150)-KD	750	150			
SCL/G/I-(900X150)-KD	900	150	150	2	
SCL/G/I-(1000X150)-KD	1000	150			

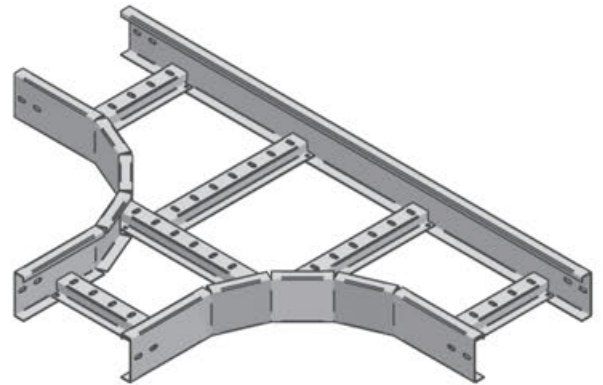
\*We also supply other size with the same Cable Tray profile.

#### Dimension in Millimeter (mm)

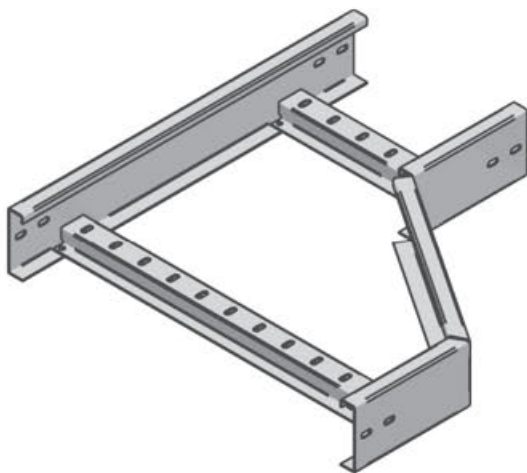
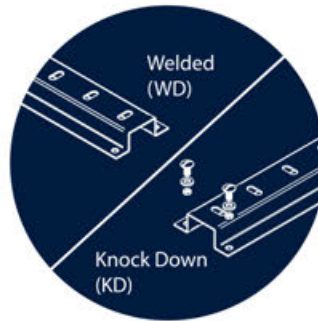
L : Length  
W : Width  
H : Height



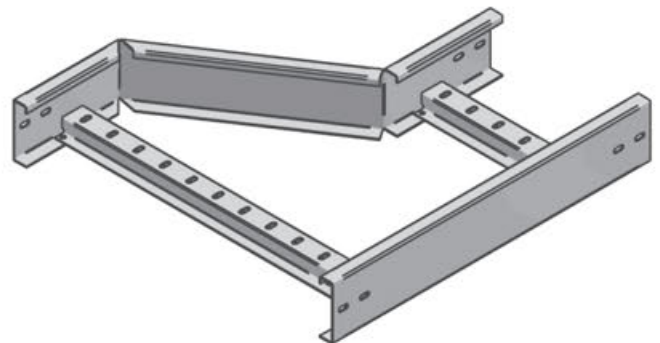
**Flatwise Equal/Unequal Cross**  
 SCL/G/I/WD AC-1  
 SCL/G/I/KD AC-1



**Flatwise Equal/Unequal Tee**  
 SCL/G/I/WD AC-2  
 SCL/G/I/KD AC-2



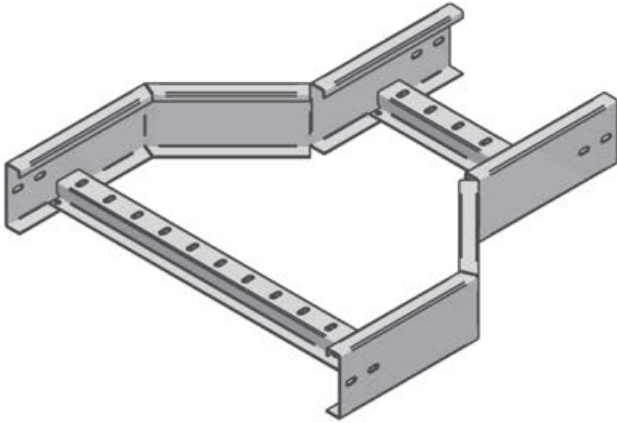
**Righthand Reducer**  
 SCL/G/I/WD AC-3  
 SCL/G/I/KD AC-3



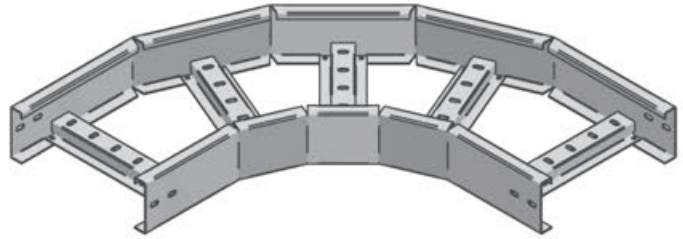
**Lefthand Reducer**  
 SCL/G/I/WD AC-4  
 SCL/G/I/KD AC-4

**"Type G - Inner" - WD/KD**

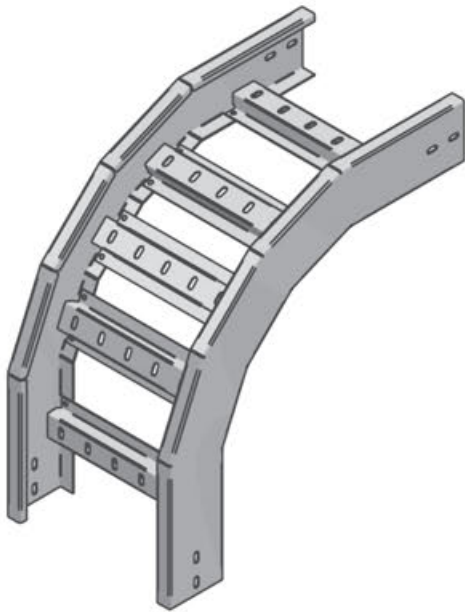
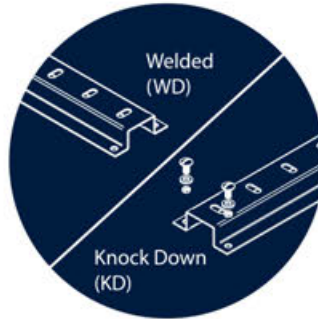
\*\*Other design and sizes are available upon request.



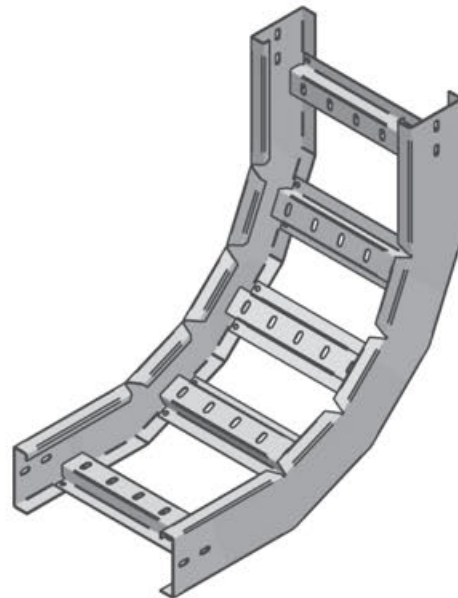
**Straight Reducer**  
SCL/G/I/WD AC-5  
SCL/G/I/KD AC-5



**Flatwise Elbow**  
SCL/G/I/WD AC-6  
SCL/G/I/KD AC-6



**Edgewise Elbow Left**  
SCL/G/I/WD AC-7  
SCL/G/I/KD AC-7



**Edgewise Elbow Right**  
SCL/G/I/WD AC-8  
SCL/G/I/KD AC-8

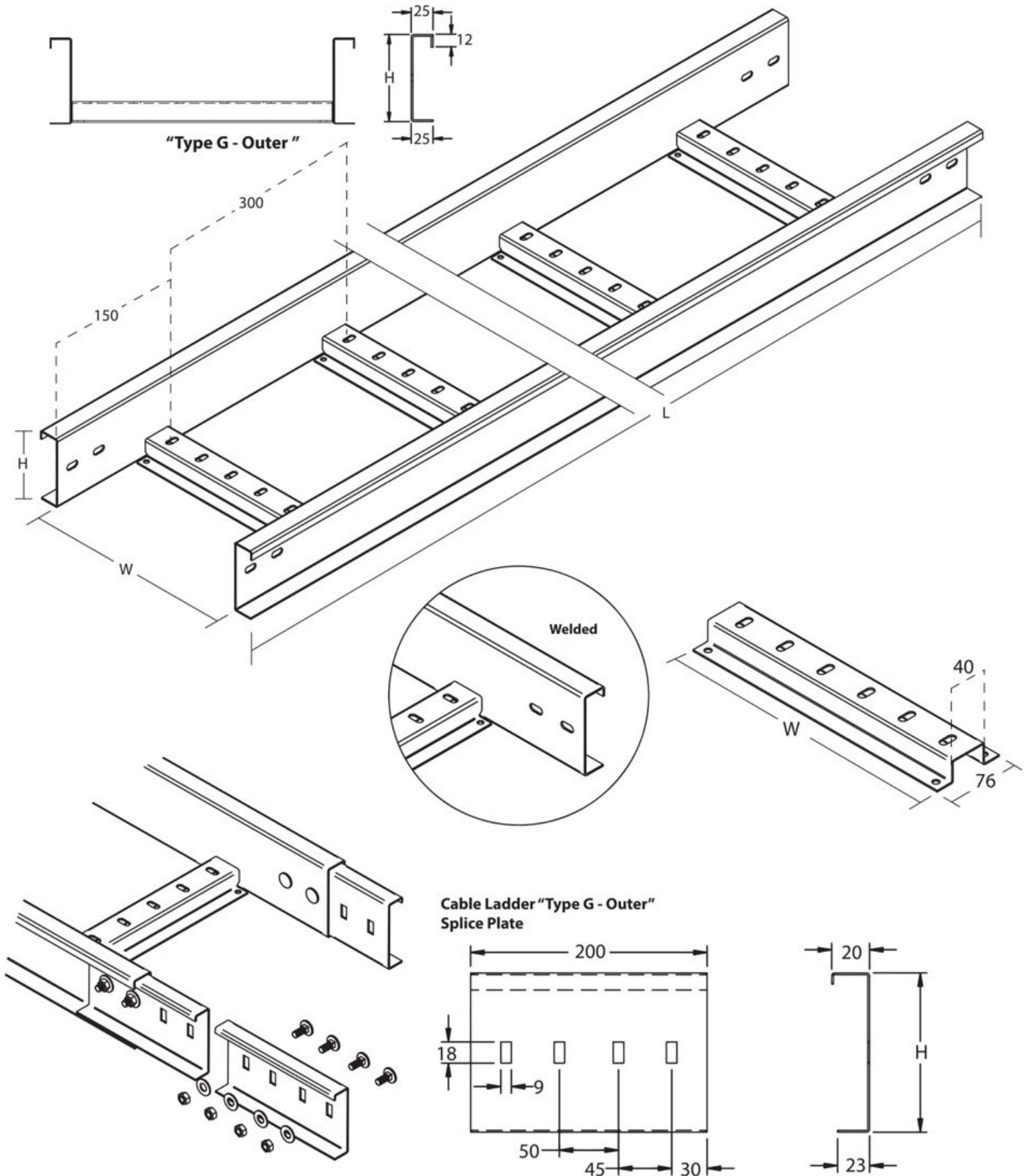
**"Type G - Inner" - WD/KD**

\*\*Other design and sizes are available upon request.



# Cable Ladder System

## Cable Ladder Straight "Type G - Outer" (Welded)



Dimension in Millimeter (mm)

L : Length

W : Width

H : Height

### Cable Ladder "Type G - Outer" - Welded (WD)

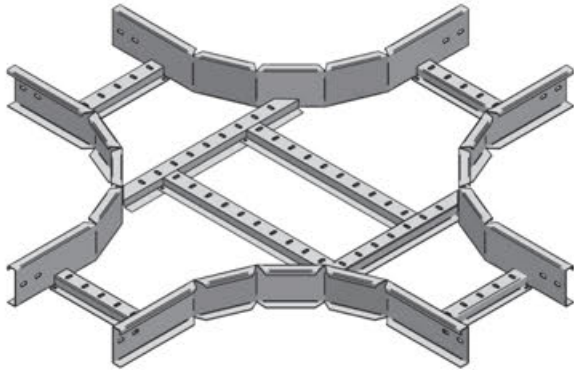
Model	Nominal Size (mm)				
	2438 / 3000	Body (LxWxH)		Splice Plate (H)	Thickness
SCL/G/O-(150X50)-WD			150	50	
SCL/G/O-(200X50)-WD	200		50		
SCL/G/O-(250X50)-WD	250		50		
SCL/G/O-(300X50)-WD	300		50		
SCL/G/O-(150X75)-WD	150		75	70	
SCL/G/O-(200X75)-WD	200		75		
SCL/G/O-(250X75)-WD	250		75		
SCL/G/O-(300X75)-WD	300		75		
SCL/G/O-(450X75)-WD	450		75		
SCL/G/O-(600X75)-WD	600		75		
SCL/G/O-(900X75)-WD	900		75	95	
SCL/G/O-(150X100)-WD	150		100		
SCL/G/O-(200X100)-WD	200		100		
SCL/G/O-(250X100)-WD	250		100		
SCL/G/O-(300X100)-WD	300		100		
SCL/G/O-(400X100)-WD	400		100		
SCL/G/O-(450X100)-WD	450		100		
SCL/G/O-(500X100)-WD	500		100		
SCL/G/O-(600X100)-WD	600		100		
SCL/G/O-(750X100)-WD	750		100		
SCL/G/O-(900X100)-WD	900		100	120	
SCL/G/O-(1000X100)-WD	1000		100		
SCL/G/O-(200X125)-WD	200		125		
SCL/G/O-(250X125)-WD	250		125		
SCL/G/O-(300X125)-WD	300		125		
SCL/G/O-(400X125)-WD	400		125		
SCL/G/O-(450X125)-WD	450		125		
SCL/G/O-(500X125)-WD	500		125		
SCL/G/O-(600X125)-WD	600		125		
SCL/G/O-(750X125)-WD	750		125		
SCL/G/O-(900X125)-WD	900	125	145		
SCL/G/O-(1000X125)-WD	1000	125			
SCL/G/O-(200X150)-WD	200	150			
SCL/G/O-(250X150)-WD	250	150			
SCL/G/O-(300X150)-WD	300	150			
SCL/G/O-(400X150)-WD	400	150			
SCL/G/O-(450X150)-WD	450	150			
SCL/G/O-(500X150)-WD	500	150			
SCL/G/O-(600X150)-WD	600	150			
SCL/G/O-(750X150)-WD	750	150			
SCL/G/O-(900X150)-WD	900	150			
SCL/G/O-(1000X150)-WD	1000	150			

\*\*Specification subject to change without prior notice.

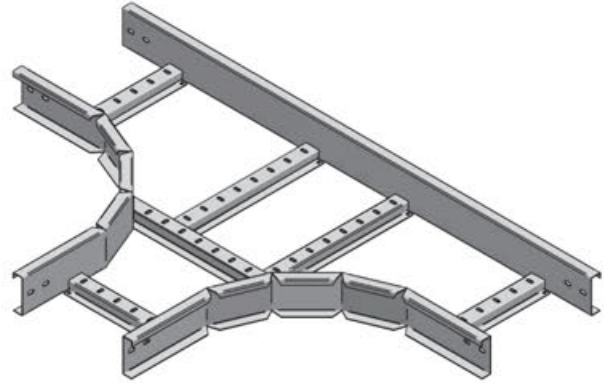
\*We also supply other size with the same Cable Tray profile.

#### Dimension in Millimeter (mm)

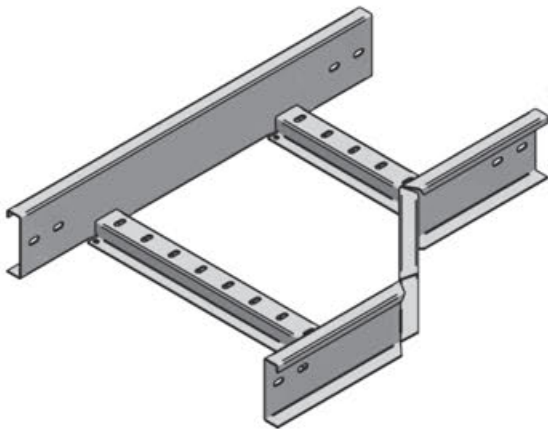
L : Length  
W : Width  
H : Height



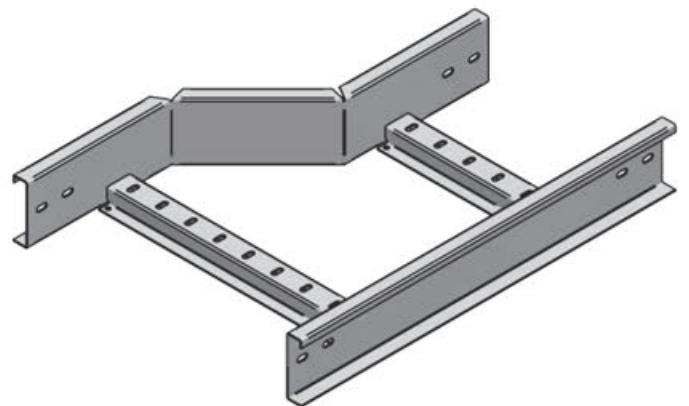
**Flatwise Equal/Unequal Cross**  
SCL/G/O/WD AC-1



**Flatwise Equal/Unequal Tee**  
SCL/G/O/WD AC-2



**Righthand Reducer**  
SCL/G/O/WD AC-4

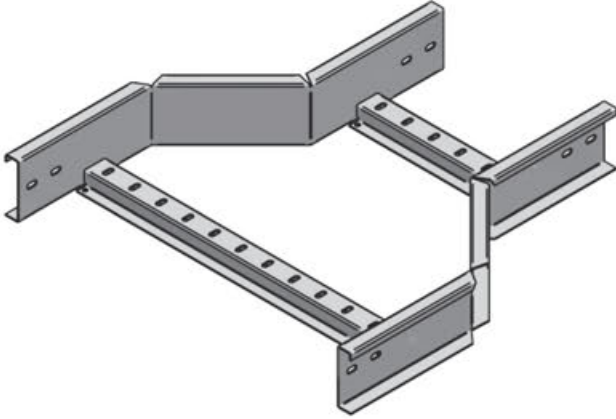


**Lefthand Reducer**  
SCL/G/O/WD AC-3

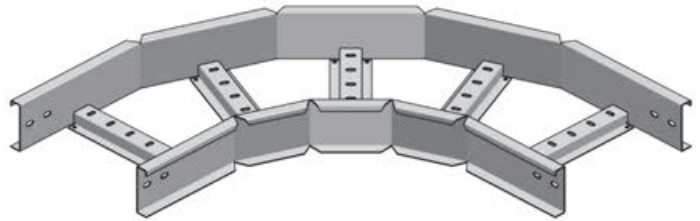
**"Type G - Outer" - WD** 

\*\*Other design and sizes are available upon request.





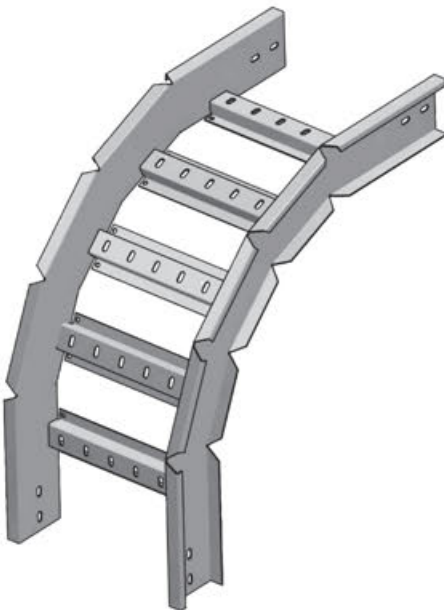
**Straight Reducer**  
SCL/G/O/WD AC-5



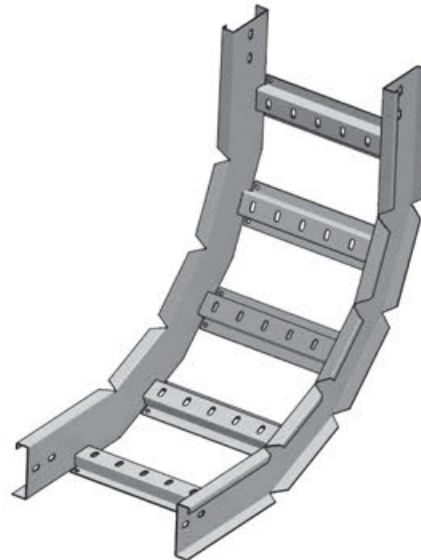
**Flatwise Elbow**  
SCL/G/O/WD AC-6



**Welded**



**Edgewise Elbow Left**  
SCL/G/O/WD AC-7



**Edgewise Elbow Right**  
SCL/G/O/WD AC-8

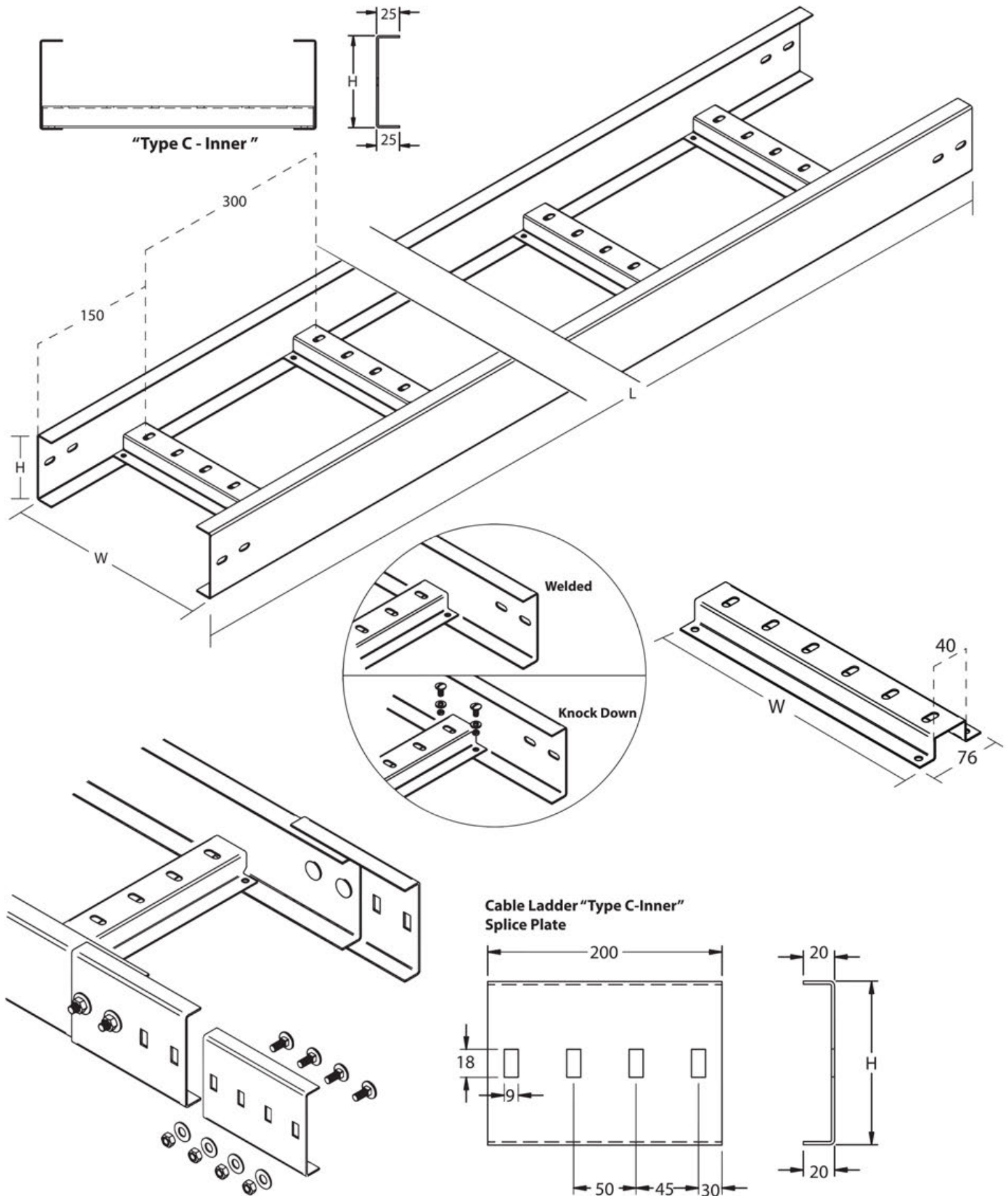
**"Type G - Outer" - WD**



\*\*Other design and sizes are available upon request.

# Cable Ladder System

## Cable Ladder Straight "Type C - Inner" (Welded / Knock Down)



### Cable Ladder "Type C - Inner" - Welded (WD)

Model	Nominal Size (mm)			Thickness	
	Body (LxWxH)		Splice Plate (H)		
SCL/C/I-(150X50)-WD	2438 / 3000	150	50	55	2
SCL/C/I-(200X50)-WD		200	50		
SCL/C/I-(250X50)-WD		250	50		
SCL/C/I-(300X50)-WD		300	50		
SCL/C/I-(150X75)-WD	2438 / 3000	150	75	80	2
SCL/C/I-(200X75)-WD		200	75		
SCL/C/I-(250X75)-WD		250	75		
SCL/C/I-(300X75)-WD		300	75		
SCL/C/I-(450X75)-WD		450	75		
SCL/C/I-(600X75)-WD		600	75		
SCL/C/I-(900X75)-WD	900	75	105	2	
SCL/C/I-(150X100)-WD	150	100			
SCL/C/I-(200X100)-WD	200	100			
SCL/C/I-(250X100)-WD	250	100			
SCL/C/I-(300X100)-WD	300	100			
SCL/C/I-(400X100)-WD	400	100			
SCL/C/I-(450X100)-WD	450	100			
SCL/C/I-(500X100)-WD	500	100			
SCL/C/I-(600X100)-WD	600	100			
SCL/C/I-(750X100)-WD	750	100			
SCL/C/I-(900X100)-WD	900	100	130	2	
SCL/C/I-(1000X100)-WD	1000	100			
SCL/C/I-(200X125)-WD	200	125			
SCL/C/I-(250X125)-WD	250	125			
SCL/C/I-(300X125)-WD	300	125			
SCL/C/I-(400X125)-WD	400	125			
SCL/C/I-(450X125)-WD	450	125			
SCL/C/I-(500X125)-WD	500	125			
SCL/C/I-(600X125)-WD	600	125			
SCL/C/I-(750X125)-WD	750	125			
SCL/C/I-(900X125)-WD	900	125	155	2	
SCL/C/I-(1000X125)-WD	1000	125			
SCL/C/I-(200X150)-WD	200	150			
SCL/C/I-(250X150)-WD	250	150			
SCL/C/I-(300X150)-WD	300	150			
SCL/C/I-(400X150)-WD	400	150			
SCL/C/I-(450X150)-WD	450	150			
SCL/C/I-(500X150)-WD	500	150			
SCL/C/I-(600X150)-WD	600	150			
SCL/C/I-(750X150)-WD	750	150			
SCL/C/I-(900X150)-WD	900	150	150	2	
SCL/C/I-(1000X150)-WD	1000	150			

\*\*Specification subject to change without prior notice.

### Cable Ladder "Type C - Inner" - Knock Down (KD)

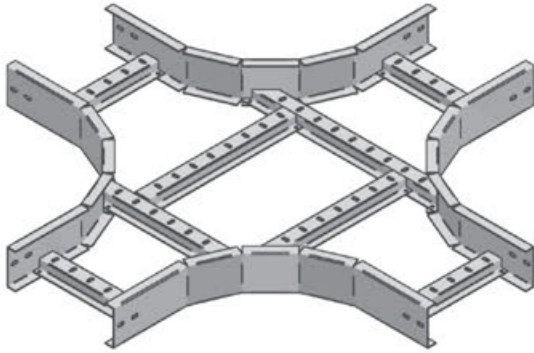
Model	Nominal Size (mm)			Thickness	
	Body (LxWxH)		Splice Plate (H)		
SCL/C/I-(150X50)-KD	2438 / 3000	150	50	55	2
SCL/C/I-(200X50)-KD		200	50		
SCL/C/I-(250X50)-KD		250	50		
SCL/C/I-(300X50)-KD		300	50		
SCL/C/I-(150X75)-KD	2438 / 3000	150	75	80	2
SCL/C/I-(200X75)-KD		200	75		
SCL/C/I-(250X75)-KD		250	75		
SCL/C/I-(300X75)-KD		300	75		
SCL/C/I-(450X75)-KD		450	75		
SCL/C/I-(600X75)-KD		600	75		
SCL/C/I-(900X75)-KD	900	75	105	2	
SCL/C/I-(150X100)-KD	150	100			
SCL/C/I-(200X100)-KD	200	100			
SCL/C/I-(250X100)-KD	250	100			
SCL/C/I-(300X100)-KD	300	100			
SCL/C/I-(400X100)-KD	400	100			
SCL/C/I-(450X100)-KD	450	100			
SCL/C/I-(500X100)-KD	500	100			
SCL/C/I-(600X100)-KD	600	100			
SCL/C/I-(750X100)-KD	750	100			
SCL/C/I-(900X100)-KD	900	100	130	2	
SCL/C/I-(1000X100)-KD	1000	100			
SCL/C/I-(200X125)-KD	200	125			
SCL/C/I-(250X125)-KD	250	125			
SCL/C/I-(300X125)-KD	300	125			
SCL/C/I-(400X125)-KD	400	125			
SCL/C/I-(450X125)-KD	450	125			
SCL/C/I-(500X125)-KD	500	125			
SCL/C/I-(600X125)-KD	600	125			
SCL/C/I-(750X125)-KD	750	125			
SCL/C/I-(900X125)-KD	900	125	155	2	
SCL/C/I-(1000X125)-KD	1000	125			
SCL/C/I-(200X150)-KD	200	150			
SCL/C/I-(250X150)-KD	250	150			
SCL/C/I-(300X150)-KD	300	150			
SCL/C/I-(400X150)-KD	400	150			
SCL/C/I-(450X150)-KD	450	150			
SCL/C/I-(500X150)-KD	500	150			
SCL/C/I-(600X150)-KD	600	150			
SCL/C/I-(750X150)-KD	750	150			
SCL/C/I-(900X150)-KD	900	150	150	2	
SCL/C/I-(1000X150)-KD	1000	150			

\*We also supply other size with the same Cable Tray profile.

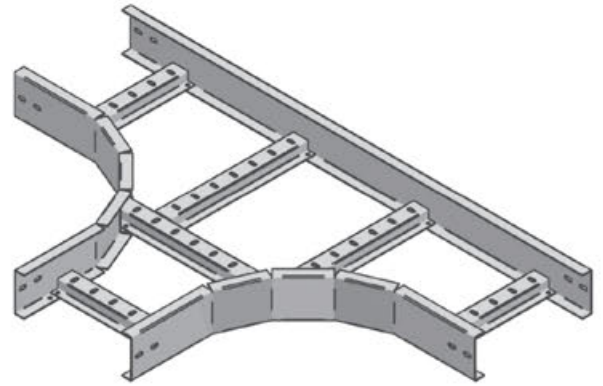
#### Dimension in Millimeter (mm)

L : Length  
W : Width  
H : Height

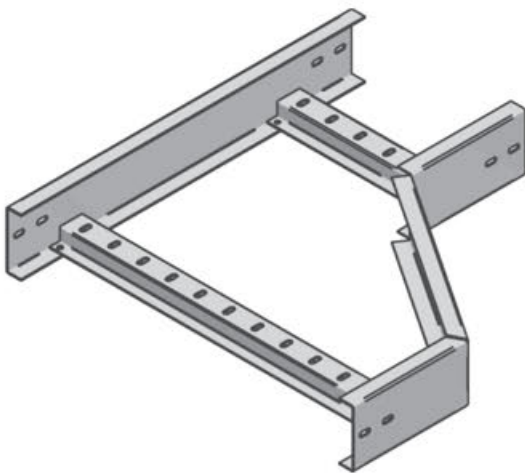
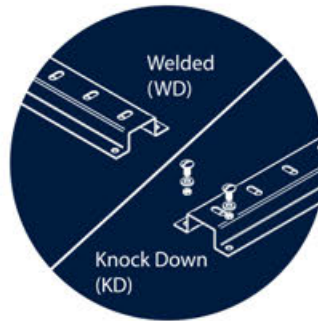




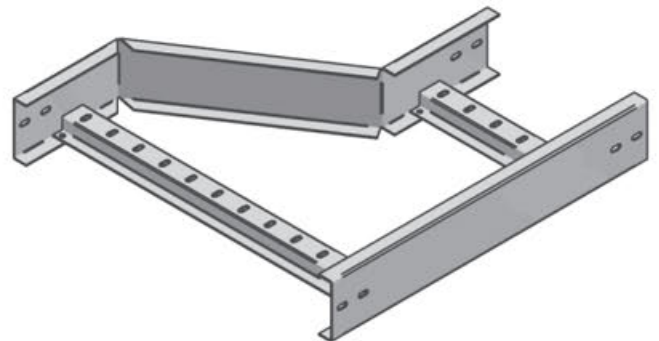
**Flatwise Equal/Unequal Cross**  
 SCL/C/I/WD AC-1  
 SCL/C/I/KD AC-1



**Flatwise Equal/Unequal Tee**  
 SCL/C/I/WD AC-2  
 SCL/C/I/KD AC-2



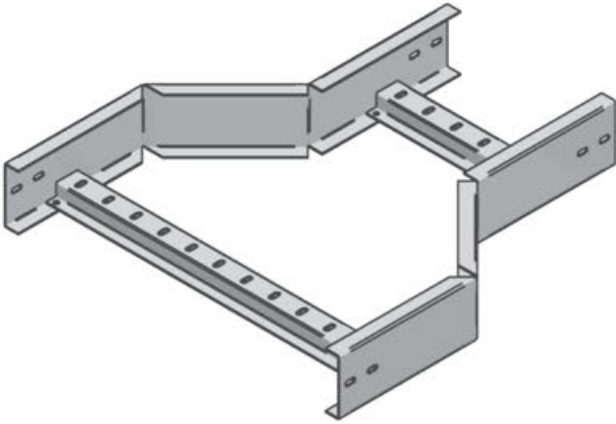
**Righthand Reducer**  
 SCL/C/I/WD AC-3  
 SCL/C/I/KD AC-3



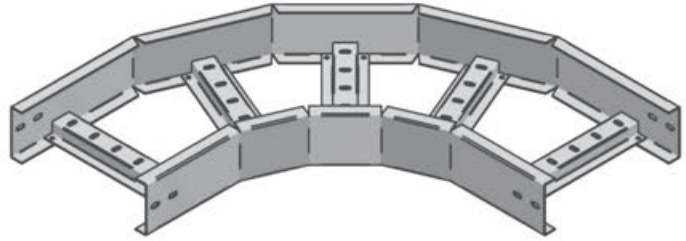
**Lefthand Reducer**  
 SCL/C/I/WD AC-4  
 SCL/C/I/KD AC-4

**"Type C - Inner" - WD/KD**

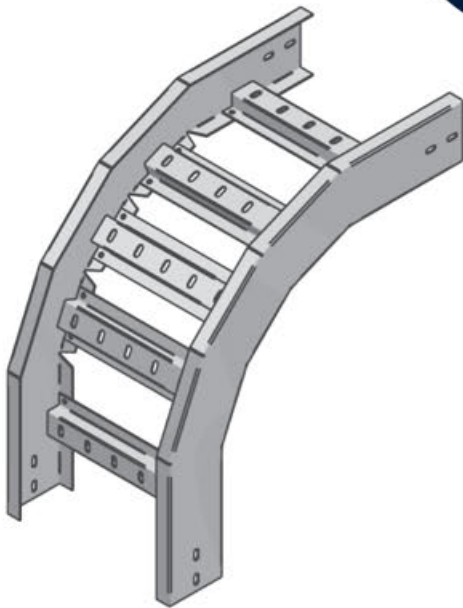
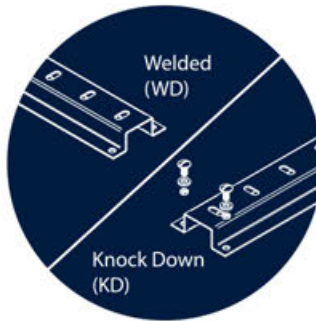
\*\*Other design and sizes are available upon request.



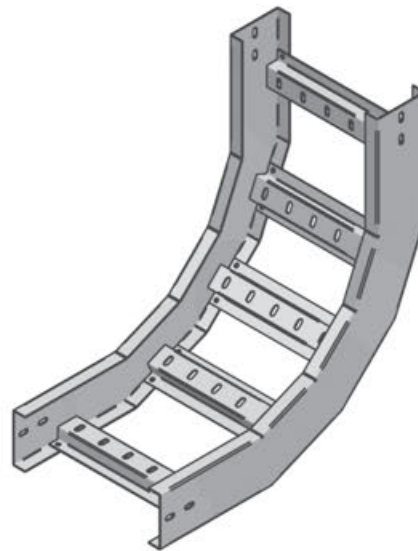
**Straight Reducer**  
SCL/C/I/WD AC-5  
SCL/C/I/KD AC-5



**Flatwise Elbow**  
SCL/C/I/WD AC-6  
SCL/C/I/KD AC-6



**Edgewise Elbow Left**  
SCL/C/I/WD AC-7  
SCL/C/I/KD AC-7



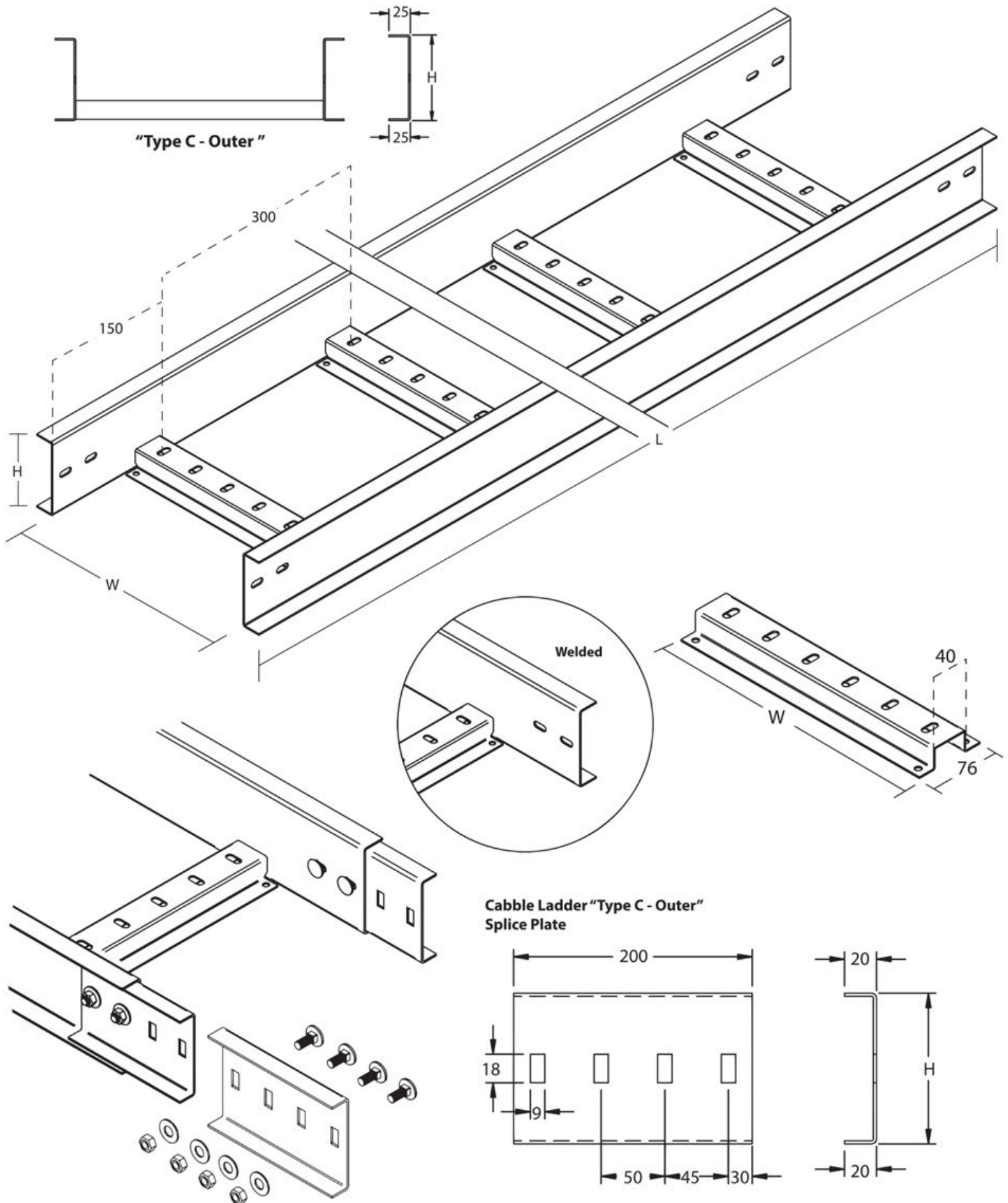
**Edgewise Elbow Right**  
SCL/C/I/WD AC-8  
SCL/C/I/KD AC-8

**"Type C - Inner" - WD/KD**

\*\*Other design and sizes are available upon request.

# Cable Ladder System

## Cable Ladder Straight "Type C - Outer" (Welded)





### Cable Ladder "Type C - Outer" - Welded (WD)

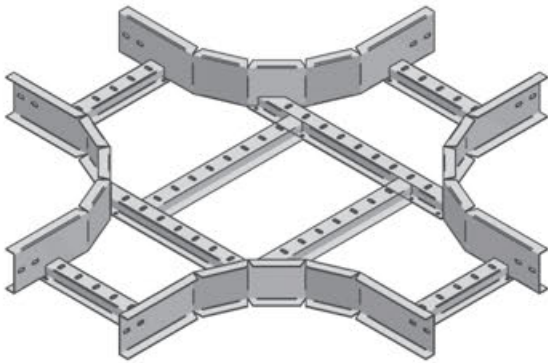
Model	Nominal Size (mm)			Splice Plate (H)	Thickness
	Body (LxWxH)				
SCL/C/O-(150X50)-WD	2438 / 3000	150	50	45	2
SCL/C/O-(200X50)-WD		200	50		
SCL/C/O-(250X50)-WD		250	50		
SCL/C/O-(300X50)-WD		300	50		
SCL/C/O-(150X75)-WD		150	75	70	
SCL/C/O-(200X75)-WD		200	75		
SCL/C/O-(250X75)-WD		250	75		
SCL/C/O-(300X75)-WD		300	75		
SCL/C/O-(450X75)-WD		450	75		
SCL/C/O-(600X75)-WD		600	75		
SCL/C/O-(900X75)-WD		900	75		
SCL/C/O-(150X100)-WD		150	100	95	
SCL/C/O-(200X100)-WD		200	100		
SCL/C/O-(250X100)-WD		250	100		
SCL/C/O-(300X100)-WD		300	100		
SCL/C/O-(400X100)-WD		400	100		
SCL/C/O-(450X100)-WD		450	100		
SCL/C/O-(500X100)-WD		500	100		
SCL/C/O-(600X100)-WD		600	100		
SCL/C/O-(750X100)-WD		750	100		
SCL/C/O-(900X100)-WD		900	100		
SCL/C/O-(1000X100)-WD		1000	100		
SCL/C/O-(200X125)-WD		200	125	120	
SCL/C/O-(250X125)-WD		250	125		
SCL/C/O-(300X125)-WD		300	125		
SCL/C/O-(400X125)-WD		400	125		
SCL/C/O-(450X125)-WD		450	125		
SCL/C/O-(500X125)-WD		500	125		
SCL/C/O-(600X125)-WD		600	125		
SCL/C/O-(750X125)-WD		750	125		
SCL/C/O-(900X125)-WD	900	125			
SCL/C/O-(1000X125)-WD	1000	125			
SCL/C/O-(200X150)-WD	200	150	145		
SCL/C/O-(250X150)-WD	250	150			
SCL/C/O-(300X150)-WD	300	150			
SCL/C/O-(400X150)-WD	400	150			
SCL/C/O-(450X150)-WD	450	150			
SCL/C/O-(500X150)-WD	500	150			
SCL/C/O-(600X150)-WD	600	150			
SCL/C/O-(750X150)-WD	750	150			
SCL/C/O-(900X150)-WD	900	150			
SCL/C/O-(1000X150)-WD	1000	150			

\*\*Specification subject to change without prior notice.

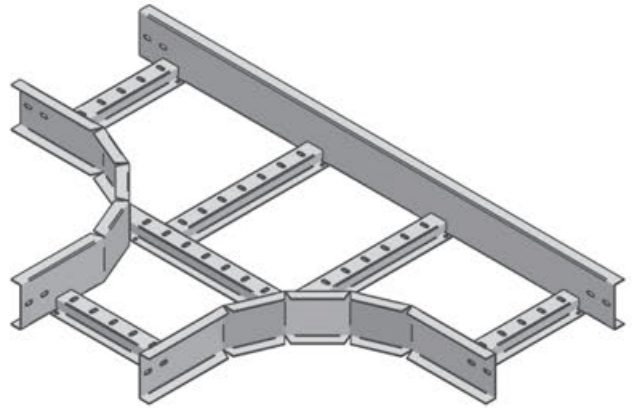
\*We also supply other size with the same Cable Tray profile.

**Dimension in Millimeter (mm)**

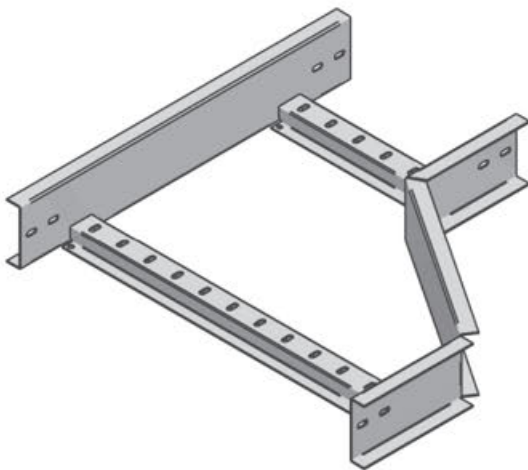
- L : Length
- W : Width
- H : Height



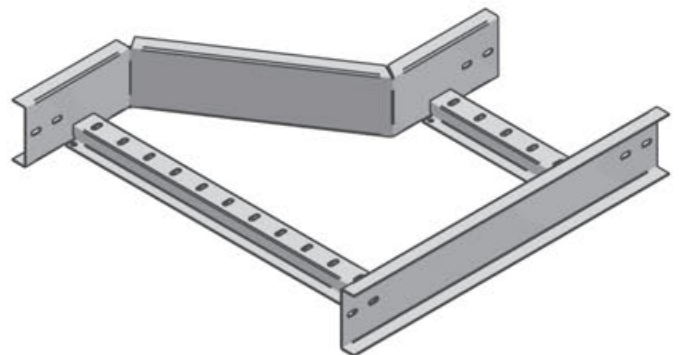
**Flatwise Equal/Unequal Cross**  
SCL/C/O/WD AC-1



**Flatwise Equal/Unequal Tee**  
SCL/C/O/WD AC-2



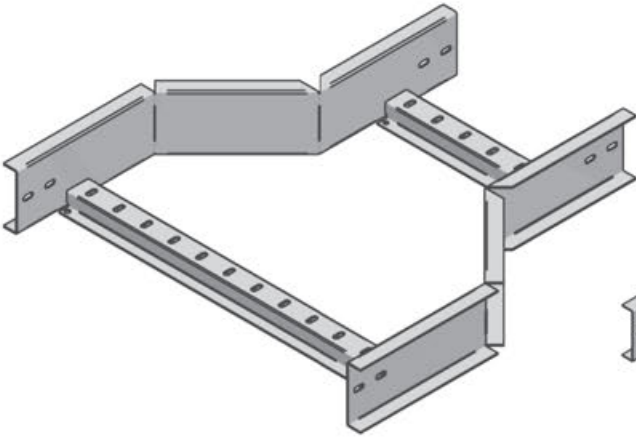
**Righthand Reducer**  
SCL/C/O/WD AC-3



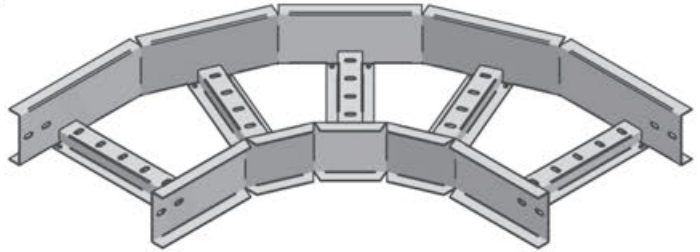
**Lefthand Reducer**  
SCL/C/O/WD AC-4

**"Type C - Outer" - WD**

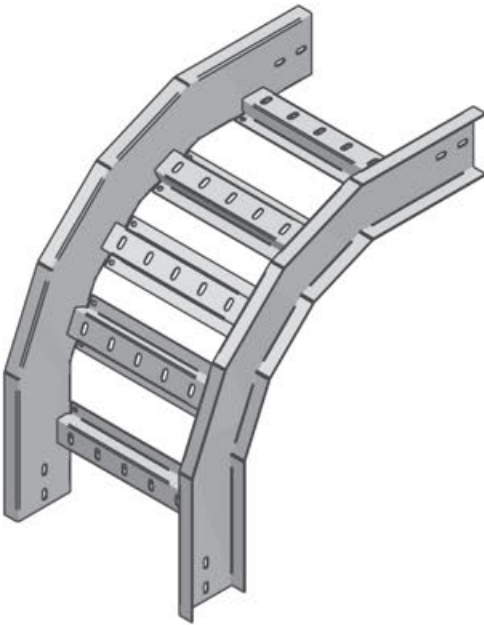
\*\*Other design and sizes are available upon request.



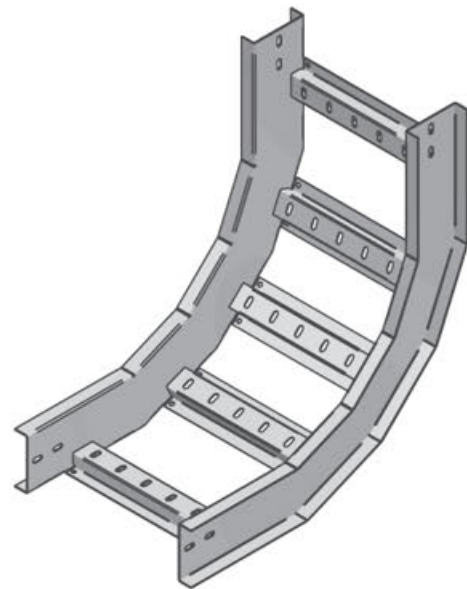
**Straight Reducer**  
SCL/C/O/WD AC-5



**Flatwise Elbow**  
SCL/C/O/WD AC-6



**Edgewise Elbow Left**  
SCL/C/O/WD AC-7



**Edgewise Elbow Right**  
SCL/C/O/WD AC-8

**"Type C - Outer" - WD** 

\*\*Other design and sizes are available upon request.



# Ordering References

Product Range	Profile Type	Size	Optional	Thickness	Material/ Finishing	Color Coating
STK (Cable Trunking)	-	Refer Catalogue (Body Straight)	-	Refer Catalogue (Body Straight)	<b>CR</b>  <b>HDG</b>  <b>EG</b>  <b>GI</b>  <b>SD</b>  <b>PM</b>  <b>**Refer Below</b>	Orange : <b>O</b> Red : <b>R</b> Green : <b>G</b> Blue : <b>B</b> Beige : <b>E</b> White : <b>W</b> Grey : <b>Y</b>
SCT (Cable Tray)	U (Type U)		-			
	C (Type C)		45D (45°)			
	T (Type T)		90D (90°)			
SCL (Cable Ladder)	Z (Type Z)		WD (Welded)			
	G/I (Type G, Inner)		KD (Knock Down)			
	G/O (Type G, Outer)		WD (Welded)			
	C/I (Type C, Inner)		KD (Knock Down)			
	C/O (Type C, Outer)		WD (Welded)			
			WD (Welded)			

## Material

Cold Rolled Steel	<b>CR</b>
Hot Rolled Steel	<b>HDG</b>
Electro Galvanised	<b>EG</b>
Galvanised Iron	<b>GI</b>
SuperDyma	<b>SD</b>
PosMac	<b>PM</b>

## Finishing

Epoxy powder Coated
Hot Dip Galvanised
Epoxy powder Coated
Original Finish or with Epoxy Powder Coated
Original Finish or with Epoxy Powder Coated
Original Finish or with Epoxy Powder Coated

## Example Order: SCL/Z-(550x100)-WD/2.0/GI/O

### Model

SCL / Z - (550 x 100)

Product  
Range

Profile  
Type

Size in mm  
(WxH)

### Others

WD / 2.0 / GI / O

Optional

Thickness

Finishing

Color











www.sirijayametal.com

(Corporate Office)



**SIRIJAYA HOLDINGS BERHAD** (Co. No. 926496-T)

No.9, Lebuhr Perusahaan Klebang 9, IGB International Industrial Park, 31200 Chemor, Perak Darul Ridzuan.  
Tel : +605-292 3888 (Hunting Line), 291 2223, 291 2225, 291 2226, 291 2228 Fax: +605-291 2221, 291 2222  
Email: marketing@sirijaya.com Website: www.sirijaya.com

**( Malaysia's Subsidiaries / Factories )**

- **SIRIJAYA INDUSTRIES SDN. BHD.** (Co. No. 153828-D)  
No.9, Lebuhr Perusahaan Klebang 9, IGB International Industrial Park, 31200 Chemor, Perak Darul Ridzuan.  
Tel: +605-292 3888 (Hunting Line), 291 2223, 291 2228 Fax: +605-291 2221, 291 2222  
Email: marketing@sirijaya.com Website : www.sirijaya.com
- **SIRIJAYA METAL SDN. BHD.** (Co. No. 874633-U)  
No.9, Lebuhr Perusahaan Klebang 9, IGB International Industrial Park, 31200 Chemor, Perak Darul Ridzuan.  
Tel: +605-292 3888 (Hunting Line), 291 2223, 291 2228 Fax: +605-291 2221, 291 2222  
Email: sjtrunk@sirijaya.com Website : www.sirijayametal.com

**( Malaysia's Sales & Marketing )**

- **SNJ LITE TRADING SDN. BHD.** (Co. No. 371702-K)  
No.9, Lebuhr Perusahaan Klebang 9, IGB International Industrial Park, 31200 Chemor, Perak Darul Ridzuan.  
Tel: +605-292 3888 (Hunting Line), 291 2223, 291 2228 Fax: +605-291 2221, 291 2222  
Email: marketing@sirijaya.com Website : www.sirijaya.com
- **SJ LITE TECHNOLOGY SOLUTIONS SDN. BHD.** (Co. No.1227742-U)  
57-1 & 59-1, Jalan PJU 1/37, Block G, Dataran Prima, 47301, Petaling Jaya, Selangor, Malaysia  
Tel: +603-7880 3634 Fax: +603-7880 3179  
Email: sjtech@sirijaya.com Website : www.sirijaya.com
- **SNJ PROJECT SDN. BHD.** (Co No 818479-U)  
57-1 & 59-1, Jalan PJU 1/37, Block G, Dataran Prima, 47301, Petaling Jaya, Selangor, Malaysia  
Tel: +603-7880 3634 Fax: +603-7880 3179  
Email: marketing@sirijaya.com Website : www.sirijaya.com

**( Singapore's Subsidiary )**

- **SJ LITE SINGAPORE PTE. LTD.** (Co. No. 200609376-E)  
5 Ubi Link #04-00 Singapore 408548.  
Tel: +65-6844 3887 Fax: +65-6744 3886  
Email: sjlite@singnet.com.sg Website : www.sirijaya.com

